



COto windows and terrace/balcony doors

COto windows and terrace/balcony doors

COto windows features **traditional Scandinavian design**, which is combined with:

- up-to-date shapes,
- faultless functionality
- highest quality product for upper and premium market.

COto windows are made of a **wooden frame** with **recycled composite material** and **aluminum claddings** on the outside.

Window technical performance and design is **suitable for**:

- private houses
- residential buildings
- public buildings with technically complicated engineering solutions.



COto windows overview

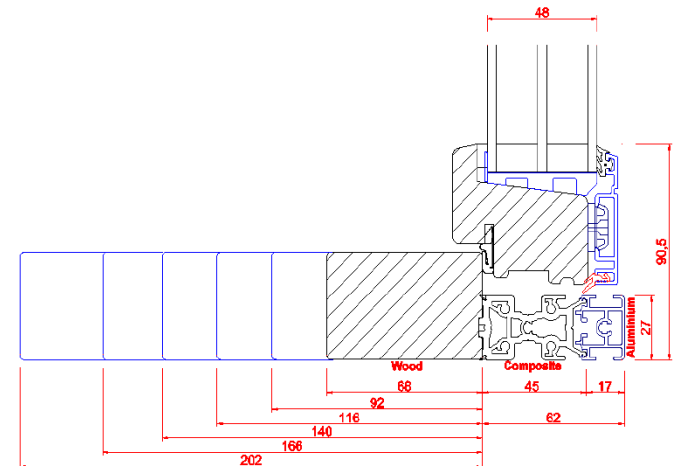
Design: Clean and minimalistic design with slim contemporary ALUclad, high performance triple glazed IGU, superior spacers and FSC certified timber.

Sash frame: made of heartwood for higher durability

Composite: indestructible composite material, which breaks the cold bridge, minimizes heat loss and provides higher temperatures around the edges of the glass and internal condensation is greatly minimized.

Watertightness: COto windows watertightness rating is 1500 Pa that is well beyond CE standart.

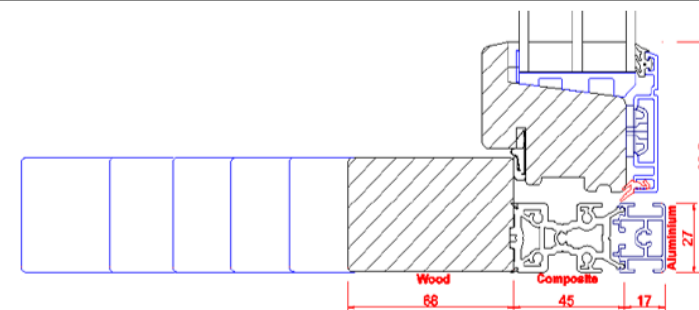
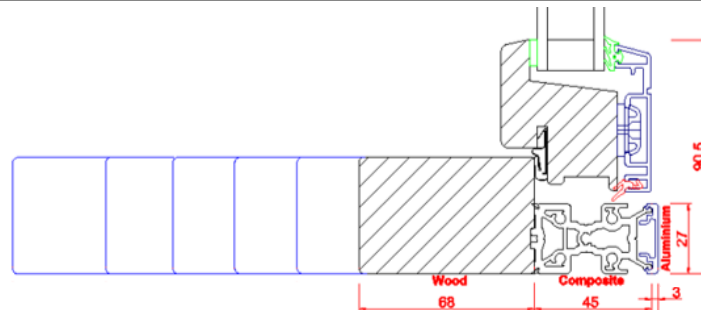
Wood frame: opportunity to customize dramatic frame depth up to 390 mm



COto technical characteristics

COto 48

COto 62



Instalation depth	116 mm; 140 mm, 164 mm, 188 mm, 214 mm, 250 mm	130 mm; 154 mm, 178 mm, 202 mm, 228 mm, 264 mm
Thickness of IGU	26mm	48mm
Materials	Wood, aluminium, composite	Wood, aluminium, composite
Thermal insulation (glass)	<p>Uf 1.22 W/m²K</p> <p>Uw 1.29 W/m²K</p> <p>Ug 1.0 W/m²K</p>	<p>1.18 W/m²K</p> <p>0.77 W/m²K</p> <p>0.5 W/m²K</p>
Sound up to:	33 dB Rw+Ctr	40 dB Rw+Ctr
Hardware	IPA/MILA	IPA/MILA
Handles	Hoppe, Mila, ASSA	Hoppe, Mila, ASSA
Air permeability (EN 1026)	Class 4 (classification EN12207)	Class 4 (classification EN12207)
Watertightness (EN 1027)	E1500 (classification EN12208)	E1200 (classification EN12208)
Resistance to wind loads (EN12211)	Class C3 (classification EN12210)	Class C3 (classification EN12210)

COto windows types and sizes

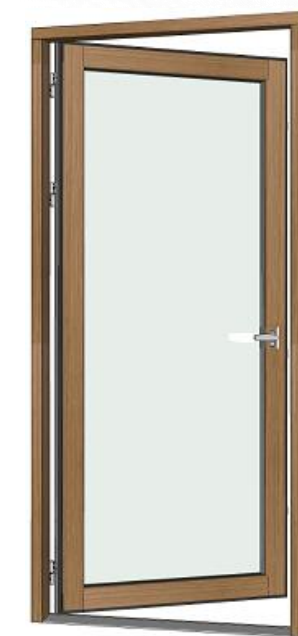
	Fixed		Side hung		Side guided		Top guided		Turn/tilt		Fully reversible	
	COto 48	COto 62	COto 48	COto 62	COto 48	COto 62	COto 48	COto 62	COto 48	COto 62	COto 48	COto 62
Min. sizes (WxH)	300x300 mm		400x400 mm		400x350 mm		350x350 mm		540x470 mm		500x600 mm	
Max. sizes (WxH)	5000x5000* mm		800x2150 mm		800x2000 mm		1600x1600mm		1000x2200mm		1500x1500mm	
												

! Window size depends on IGU weight per sash

** Max. size for shortest side is 2.7 m*

COto terrace/balcony doors

	Outwards open		Inwards open	
	COto 48	COto 62	COto 48	COto 62
Instalation depth	116 mm; 140 mm, 164 mm, 188 mm, 214 mm, 250mm	130 mm; 154 mm, 178 mm, 202 mm, 228 mm, 264 mm	116 mm	116 mm
Thickness of IGU	26mm	48mm	26mm	48mm
Materials	Wood, aluminium, composite	Wood, aluminium, composite	Wood, aluminium	Wood, aluminium
Thermal insulation (glass) Ud	1.2-1.5 W/m ² K	0.78-1.0 W/m ² K	1.2-1.5 W/m ² K	0.78-1.0 W/m ² K
Sound up to:	33 dB Rw+Ctr	40 dB Rw+Ctr	33 dB Rw+Ctr	40 dB Rw+Ctr
Hardware	IPA/MILA	IPA/MILA	IPA/MILA	IPA/MILA
Min. sizes (WxH)	450x1750 mm	450x1750 mm	450x1750 mm	450x1750 mm
Max. sizes (WxH)	1100x2400 mm	1100x2400 mm	1100x2400 mm	1100x2400 mm
Double doors	Yes	Yes	Yes	Yes
Threshold	Aluminium or hardwood	Aluminium or hardwood	Aluminium or hardwood	Aluminium or hardwood

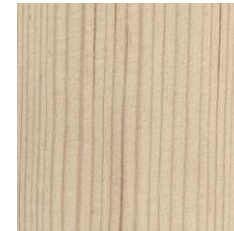


Exterior and interior finish

- **External aluminium cladding:** all colors offered by the RAL, NCS catalogue with different surface finish such as Gloss, Matt, Granite, Marine grade or other texture.
- **Internal wooden part:** all colors offered by the RAL, NCS catalogue. Water-based stains and lacquers provide ecological, environment-friendly and natural product look.
Also possible to oil, bleach, varnish interior surfaces.
- **Most used wood** is finger-jointed (fj) pine and non-finger-jointed pine.
- Oak, mahogany, sapeli and other wood species can be offered to meet client's expectations and wishes.
- Non-finger-jointed option is available for all types of wood.



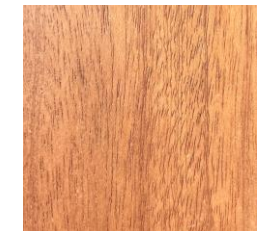
fj pine



pine



oak

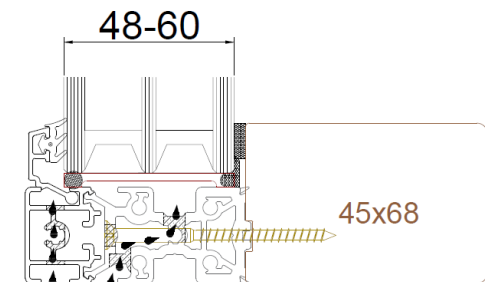
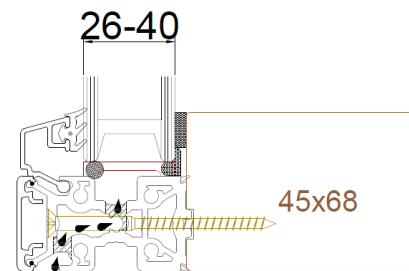
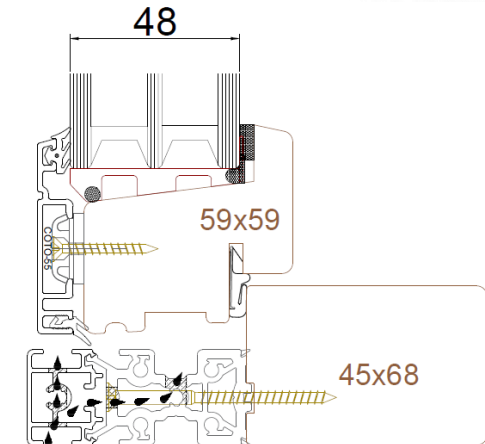
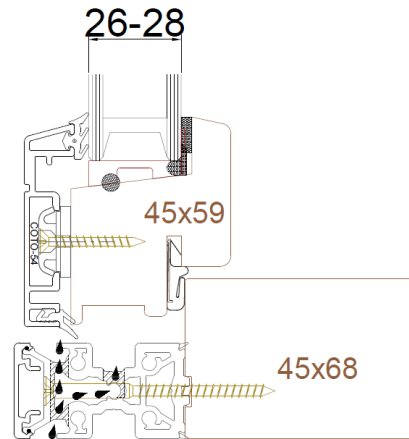


mahogany

Glass options

Windows have **extensive possibilities for glazing type of the choice**, such as:

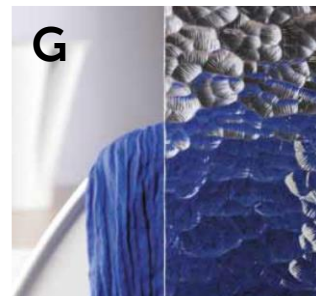
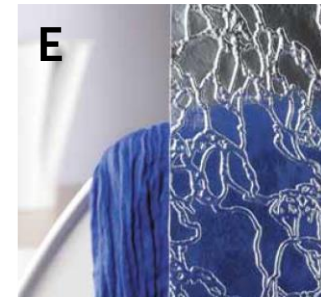
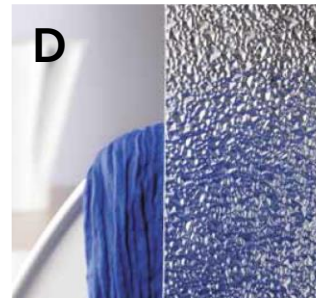
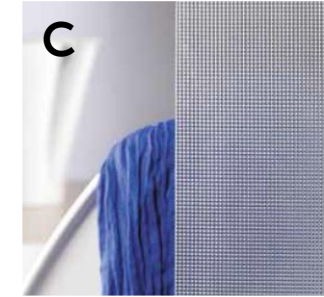
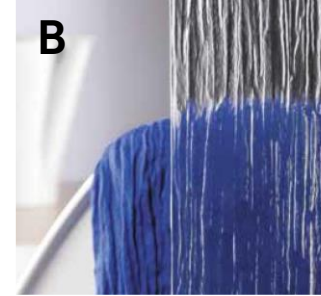
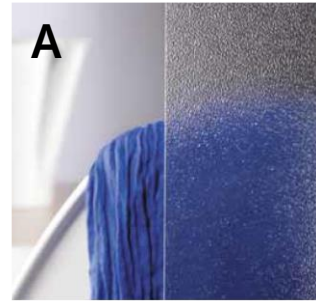
- sun protection,
- sound insulation,
- personal safety,
- self-cleaning,
- self-dimming,
- painted glass,
- fire safety,
- anti-burglar,
- thermal insulation with different levels,
- covered with MDF panels inside insulated glass unit,
- IGMA certified



Privacy glass options

- A. CREPI Clear
- B. KURA Clear
- C. KRIZET Clear
- D. DIAMANTE Clear
- E. DELTA Clear
- F. CHINCHILLA Clear
- G. ATLANTIC Clear
- H. NIAGARA Clear
- I. FLUTES

- Triple glazed IGU middle glass
- Double glazed IGU inside glass



Spacers

CHROMATECH ultra



Colors:

RAL9004 (black)
RAL7035 (light grey)
RAL7040 (window grey)
RAL8003 (light brown)
RAL8016 (mahogany brown)
RAL9016 (traffic white)

SWISSPACER ULTIMATE PRO



Colors:

RAL9005 (black)
RAL8003 (light brown)
RAL8017 (dark brown)

Multitech G



Colors:

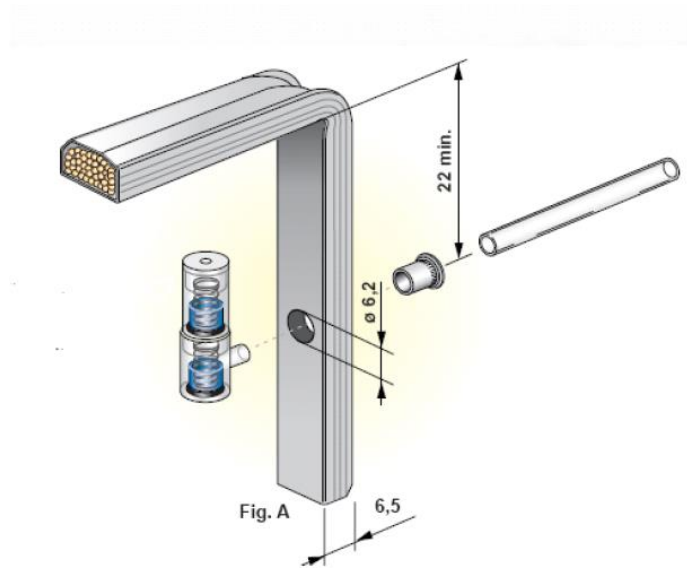
RAL9005 (black)
RAL9016 (white)
RAL9023 (dark grey)

Valve and altimeter technology

- **Swisspacer AIR**
from 550 m*



- **Valvola TWO-WAY valve**
from 550 m*



- For IGMA **altimeter technology**
from 750 m*

IGU in production place:



IGU in transport:



IGU in construction place:



* Object altitude

Window standart equipment

Standart side-guided, top-guided, fully reversible window equipment consist of:

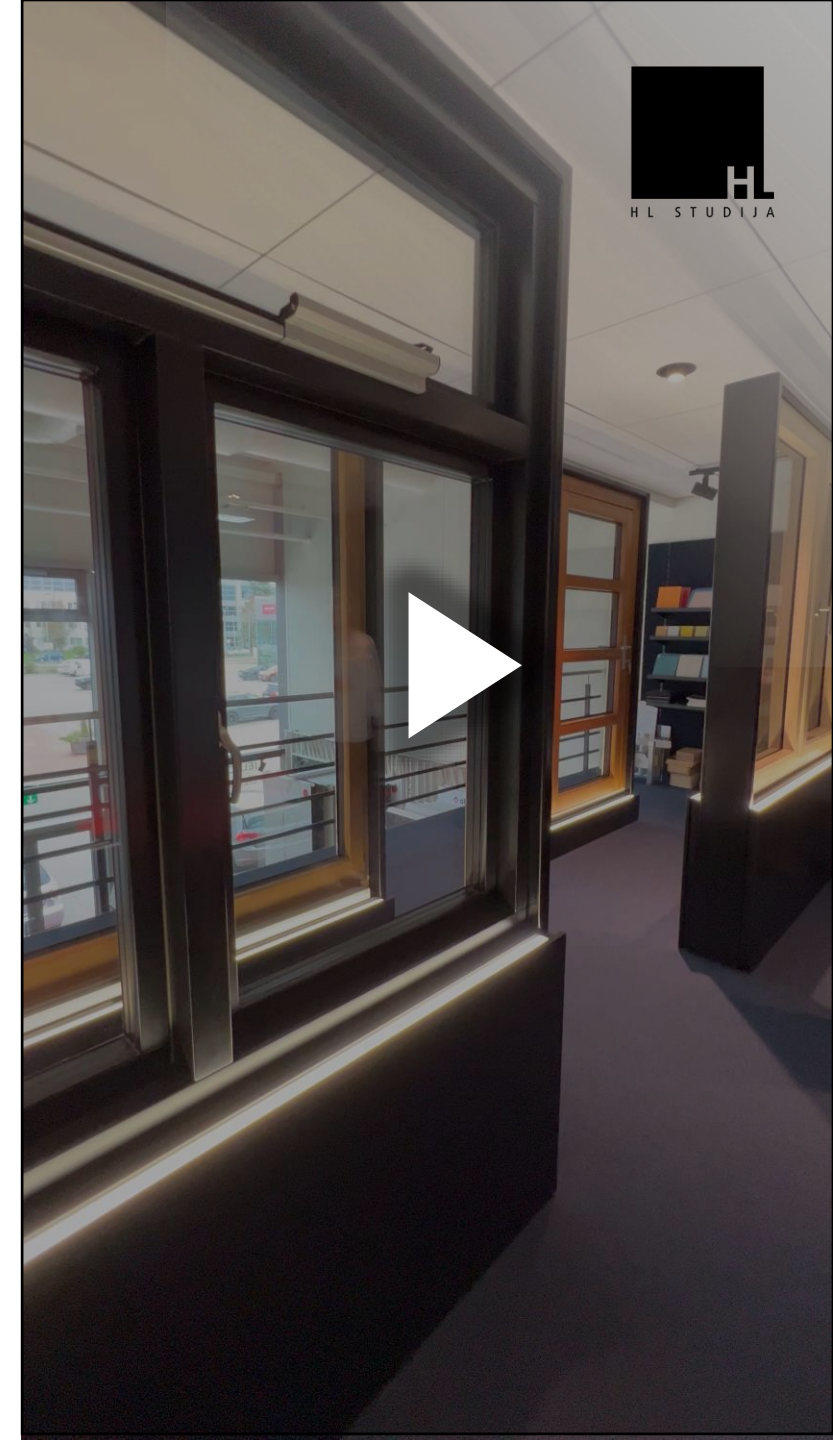
- finger-jointed pine
- MILA Grant locking mechanism
- IPA friction hinges (concealed)
- HOPPE window handle inside
- ventilation «lock mode»



Standart: HOPPE Tokyo 0710LVK

If side-hung window used, then additionally equiped with:

- with handle operated brake
- visible exterior hinges



Window optional equipment

Optional window equipment consist of:

Handles:

- window handle lockable
- window handle + kissi child safety
- window handle + opening limiter
- rosette with removable handle
- design handles
- flushed handle



Finishing:

- custom exterior finish such as:
 - anodized,
 - marine grade,
 - metallic
- custom interior finish such as:
 - varnished,
 - bleached,
 - oiled
- frame depth up to 390 mm



Functionality:

- opening limiters
- motorized opening
- manual openers
- integrated ventilation grille



Accessories:

- integrated insect screen
- integrated sun screen
- magnet contact
- Klickventil
- exterior sill
- interior sill
- packer: plywood, hardwood
- window bars



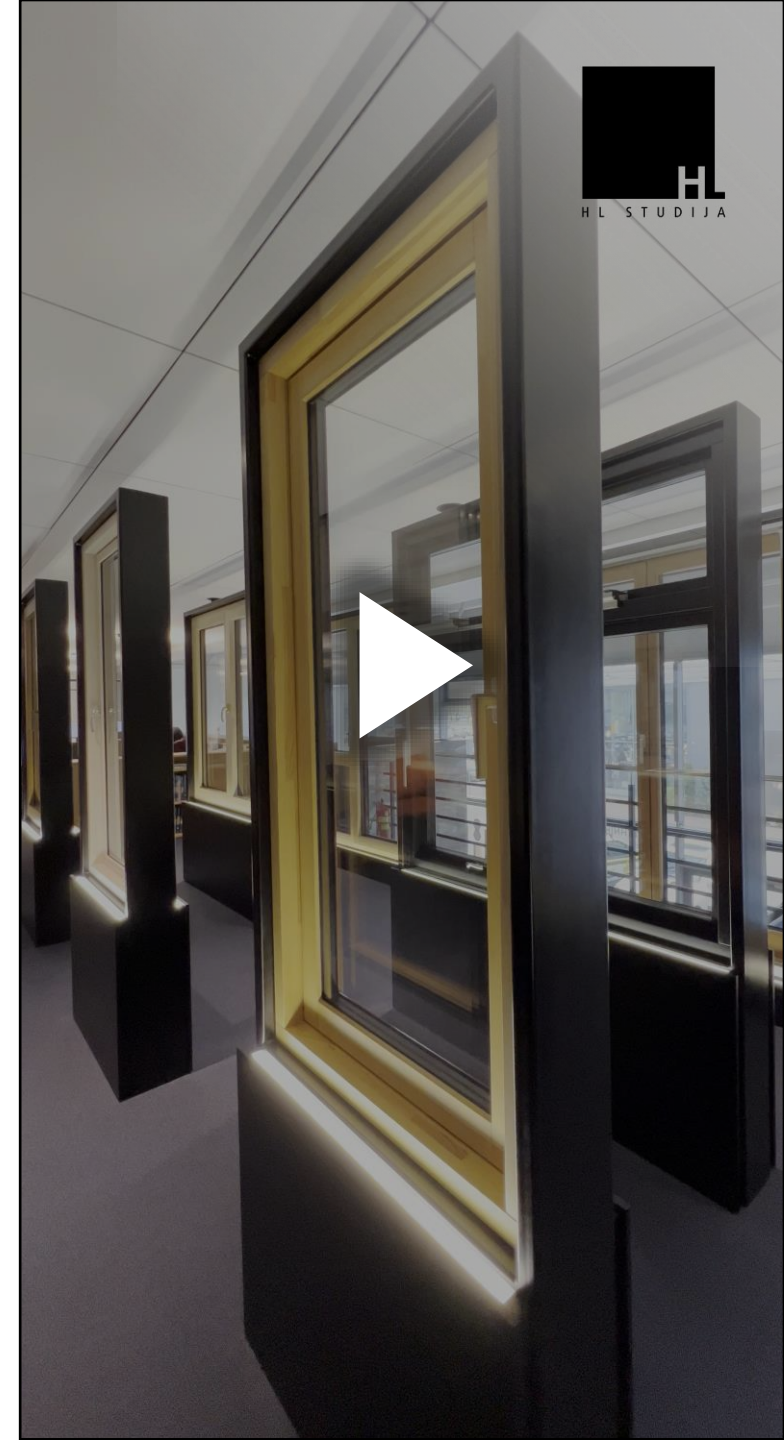
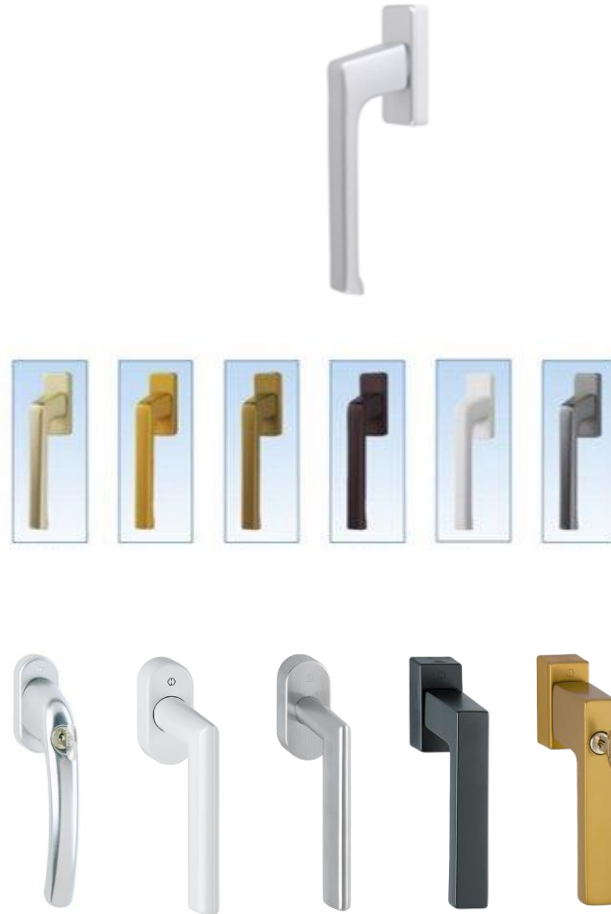
Turn&tilt window standart equipment

Standart turn&tilt window equipment consist of:

- finger-jointed pine
- G-U turn&tilt hardware
- G-U Dirigent window handle
- concealed hinges
- ventilation «lock mode»

Optional window equipment consist of:

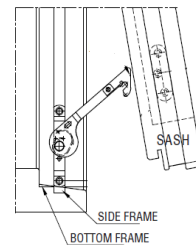
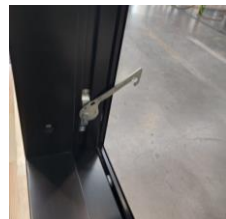
- window handle lockable
- window handle lockable + kissi safety
- opening limiter
- rossete with removable handle
- secustik handles
- TBT hardware and handles
- design handles
- flushed handle



Opening limiters

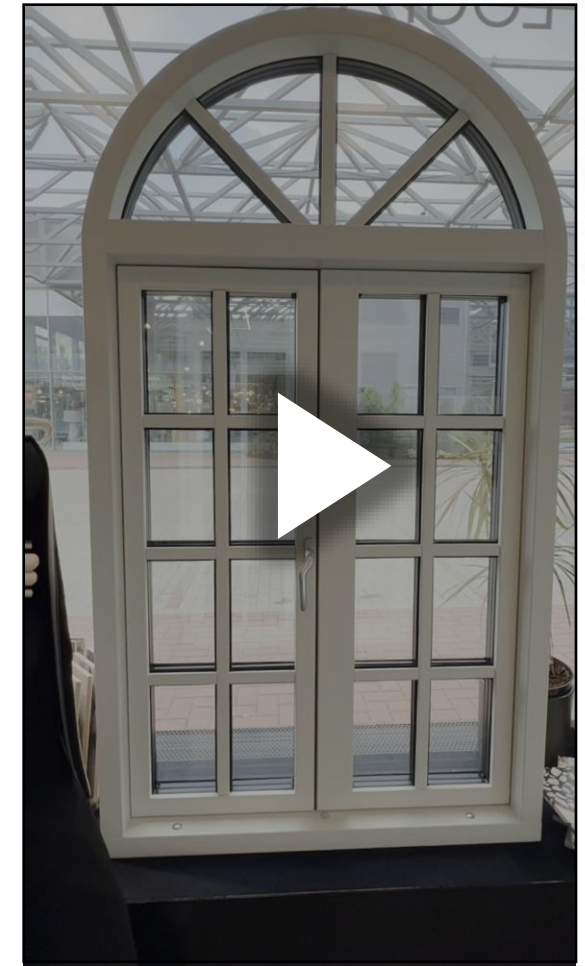
Child safety devices:

- HOPPE KISI F U71Z
- HOPPE KISI2 F U34
- HOPPE KISI2 U14 / U26
- IPA 21237

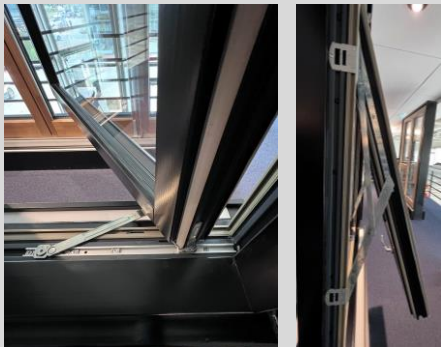





For side-hung window opening limiters:

- window friction stay



Hinges

Window type	Top guided, side guided, fully reversible		Top hung, side hung		Terrace/balcony door		Turn&tilt windows	
	COto 48	COto 62	COto 48	COto 62	COto 48	COto 62	COto 48	COto 62
Hinge name	IPA		PN (MILA)		PN (MILA)		UNI-JET SCF (G-U)	
Type	hidden		visible		visible		hidden	
Color	No (anodized aluminium)		Yes (silver or painted RAL)		Yes (silver or painted RAL)		No (aluminium)	
Weight up to *	70 kg		60 kg		100 kg		130 kg	
Anti-corrosion class	Grade 5		Grade 4		Grade 4		Grade 5	
								

* size of the sash depends on the weight of the sash

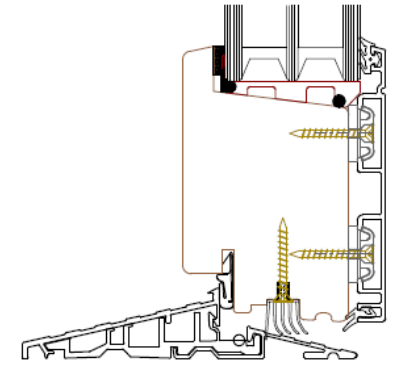
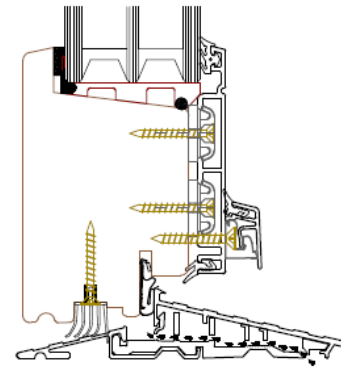
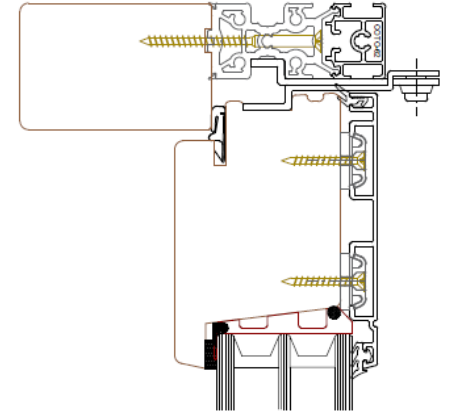
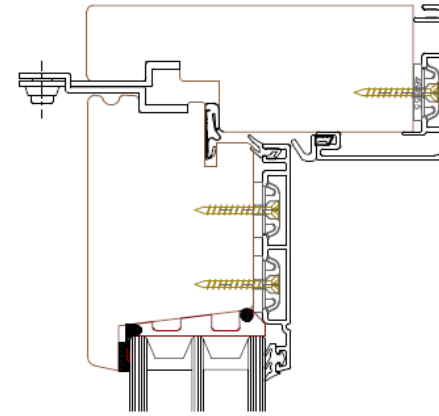
Terrace/balcony door standart equipment

Standart terrace/balcony door equipment consist of:

- finger-jointed pine
- window handle only inside
- visible hinges
- MILA Garant hardware
- fixation in all positions with a handle
- max. door aperture 95* degrees
- MILA Aqua stop
- aluminium threshold



Standart: HOPPE Tokyo 0710LVK



Terrace/balcony door optional equipment

Optional terrace equipment consist of:

Handles:

- handle inside
- handle on both sides
- handle inside/pull handle outside
- lockable handle inside key/ thumb turn
- lockable handle inside and outside
- lockable handle with cylinder inside and outside
- rosette with removable handle
- design handles
- flushed handle



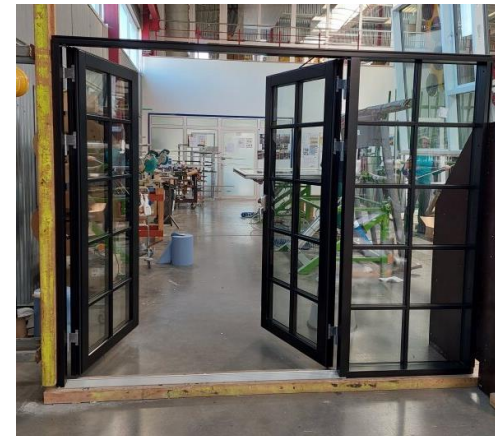
Finishing:

- custom exterior finish such as:
 - anodized,
 - marine grade,
 - metallic
- custom interior finish such as:
 - varnished,
 - bleached
- Frame depth up to 390 mm (outwards open)



Functionality:

- visible hinges
- opening limiters
- hardwood threshold
- produced as window block with top lights and/or side lights
- double doors



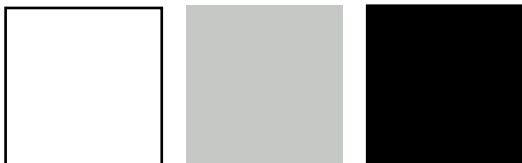
Accessories:

- magnet contact
- Klickventil
- alu/mdf filling
- window bars
- packer: plywood, hardwood

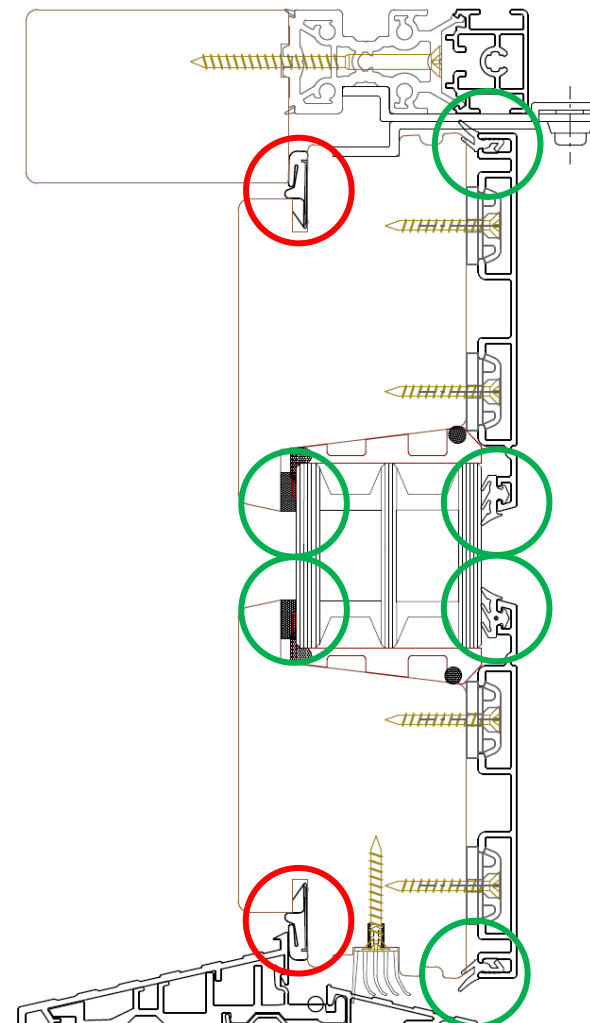
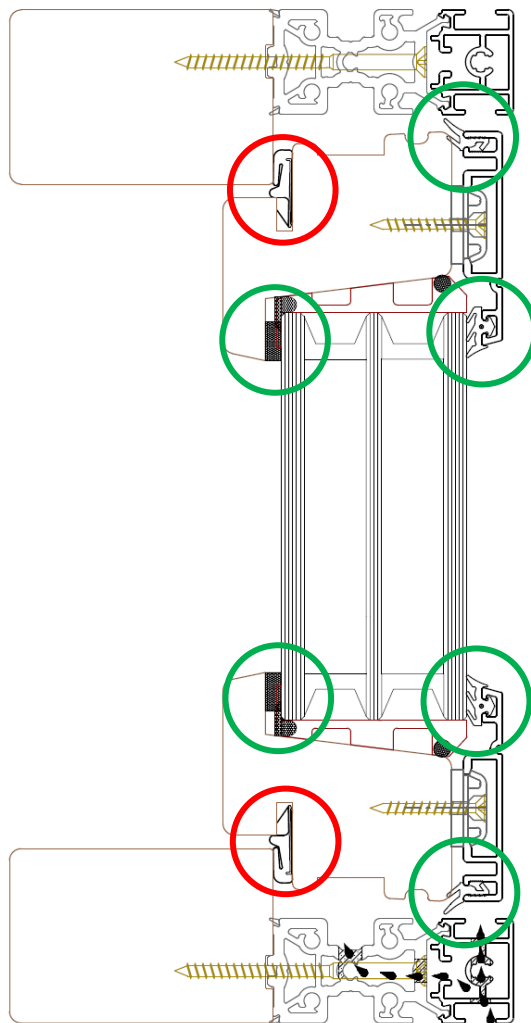
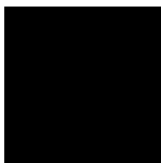


Gaskets

Available colors:



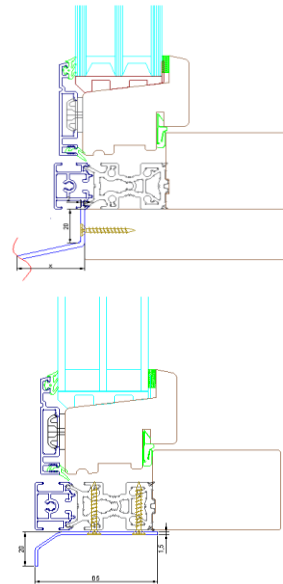
Available colors:



Exterior and interior sills

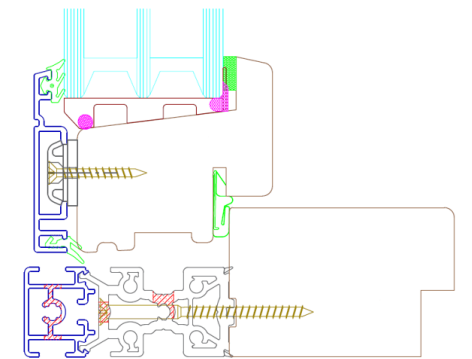
Exterior aluminium sills:

- made from tin
- possible to paint in any RAL (gloss, matt, texture)
- consist of sill ends, screws and screw cups
- sill up to 3 m in length (more length with connection)
- possible sill design modification

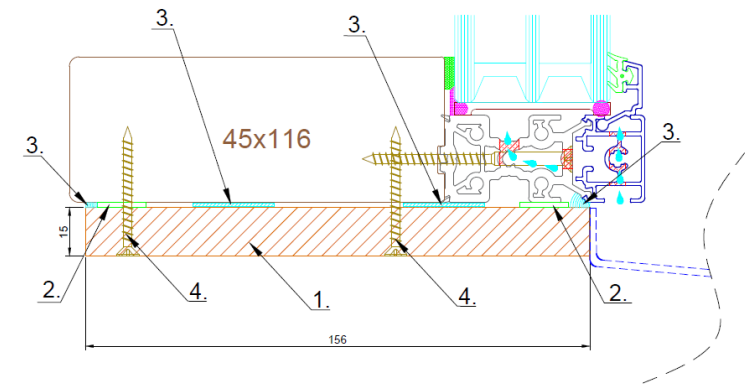
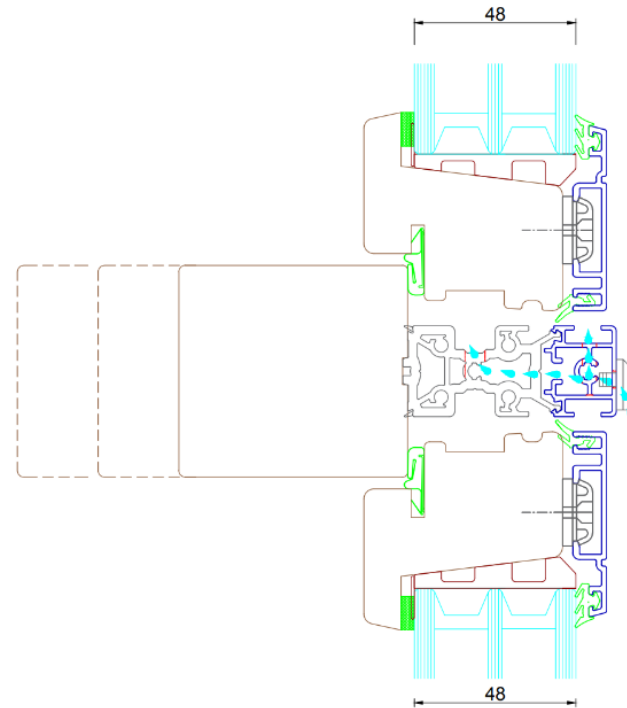
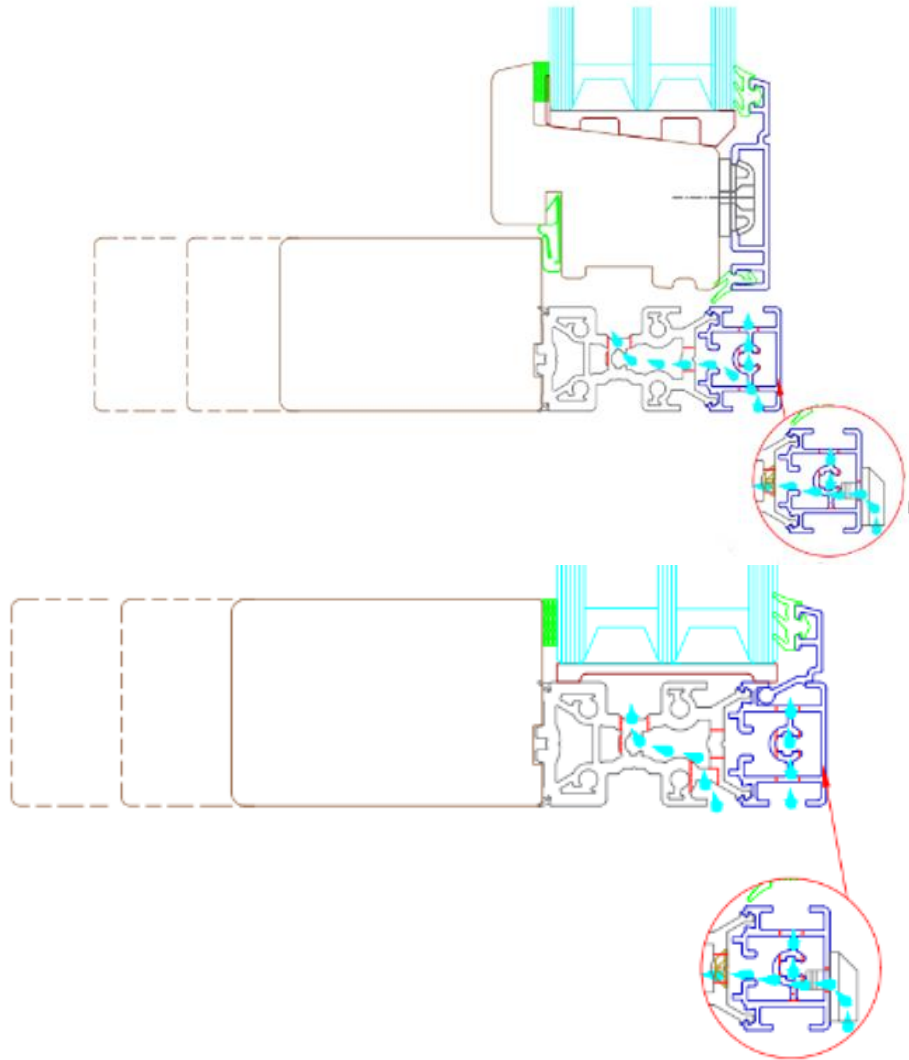


Interior wooden sills:

- 20-30 mm thick
- available in pine, oak, mahogany and more
- rounded or square corners
- rounded or square interior front
- individual finish or matching window interior wood
- milling for each project according to individual instructions



Drainage options



- 1. - 15x156mm plywood extension
- 2. - Joint sealing tape GreenteQ 600 15/1-4
- 3. - Silicone seam
- 4. - Screw PZ 3.5x40mm

Retractable insect screen

- Insect screens are installed in window interior side
- **Min. size: 400x300 mm, max. size: 1800x2400 mm**
- Insect mesh colors: **grey**
- Insect screen transparency: **60% or 80%**
- Tear-resistant and weather-resistant fabric made of plastic-coated fiberglass
- Possibility to lower the screen with a string
- Standart colors:

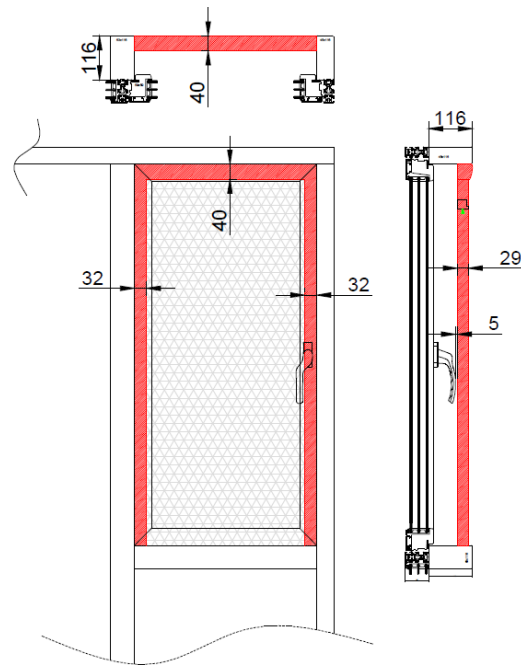


other RAL colors on request

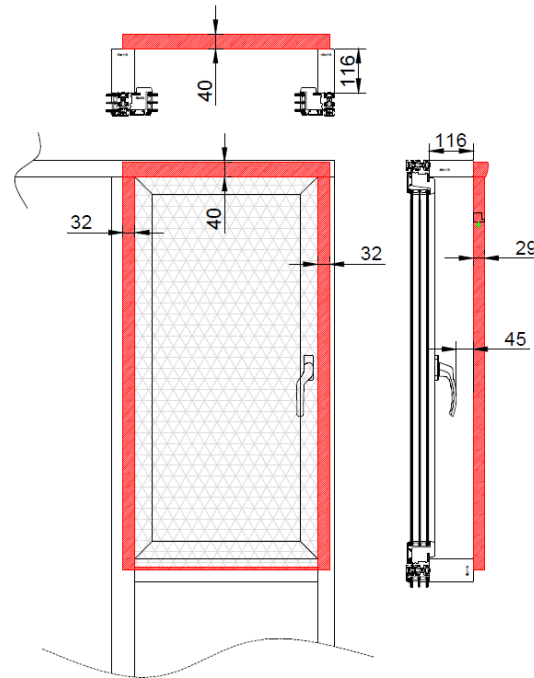


Retractable insect screen

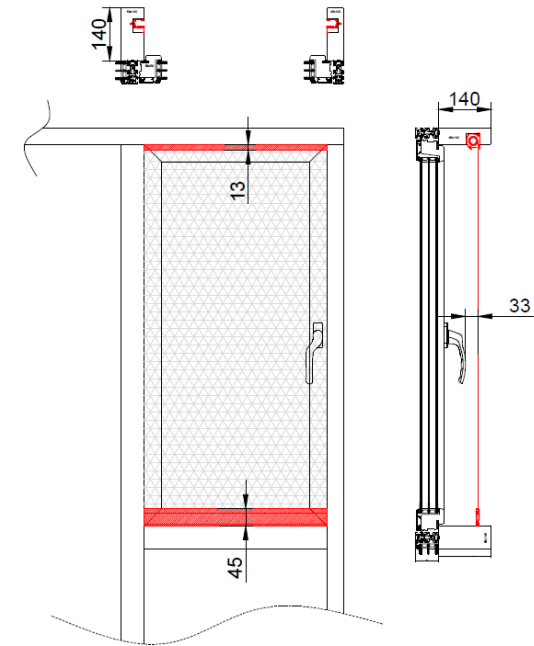
Between wood frame
Min. frame depth 116 mm



On wood frame
Min. frame depth 116 mm



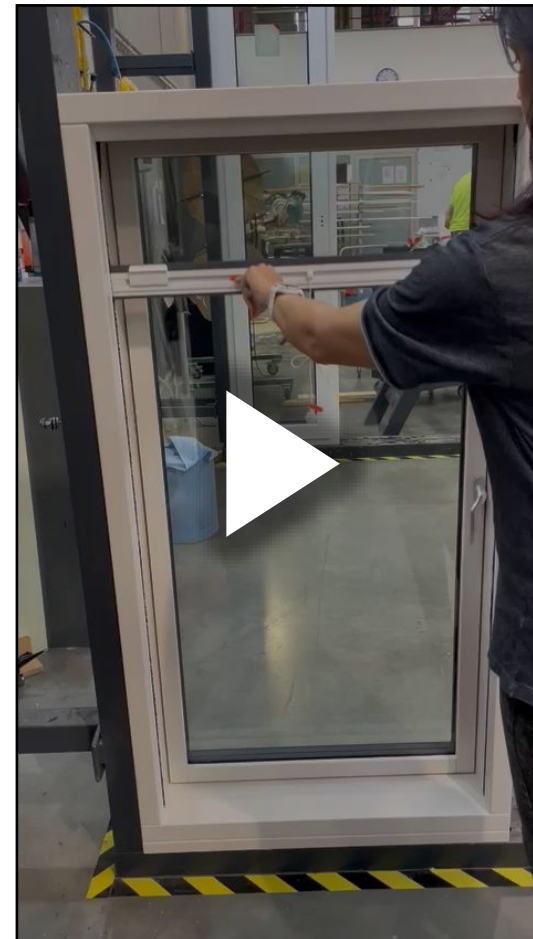
Milled inside of wood frame
Min. frame depth 140 mm



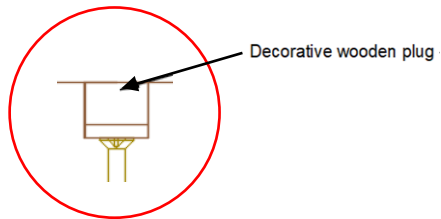
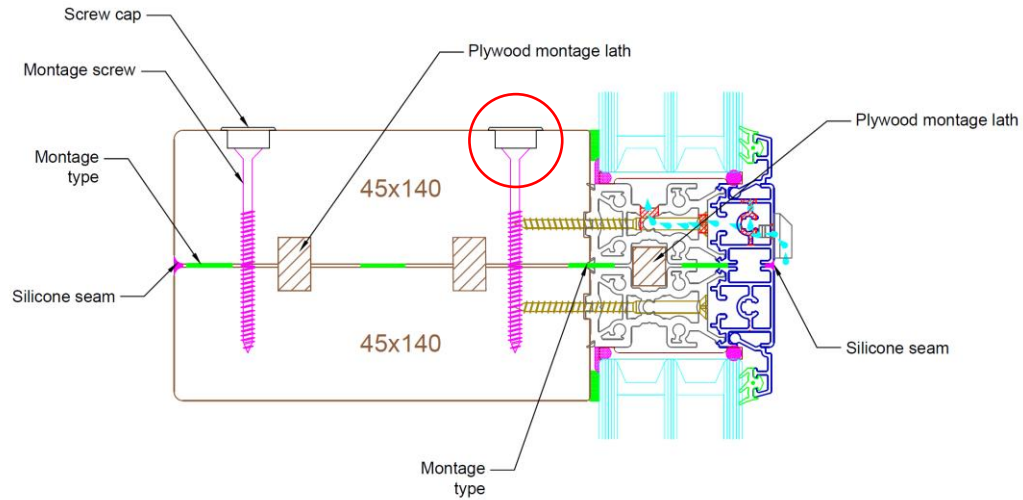
Insect screen between wood frame



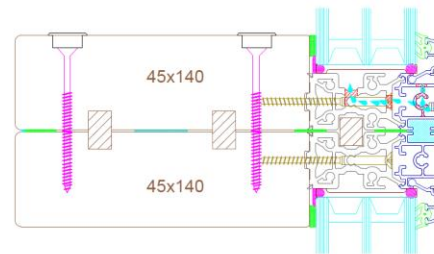
Integrated insect screen



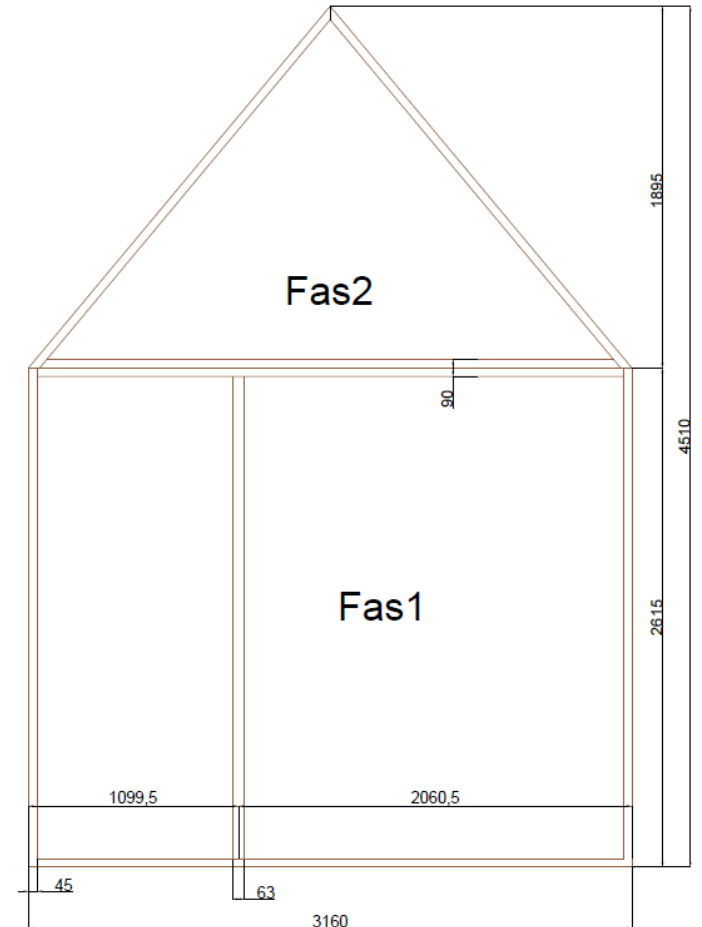
Window connection



Fas-2

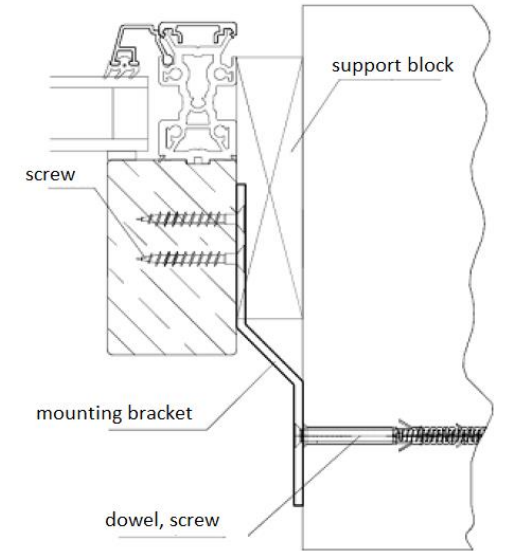
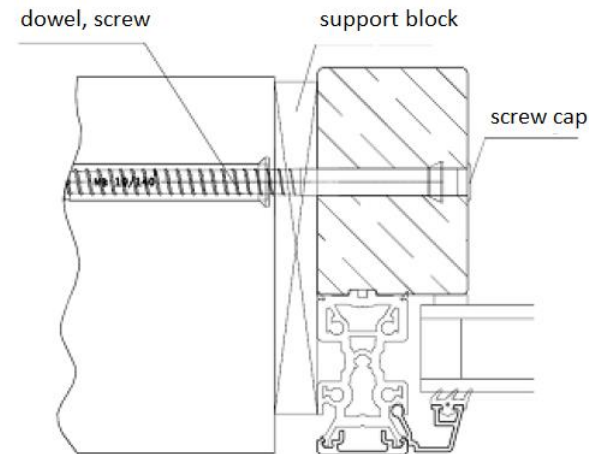
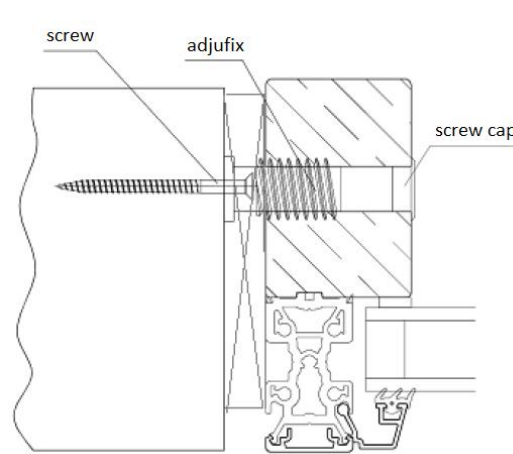


Fas-1



Montage accessories

- Adjufix
- Fixing with screws
- Mounting brackets



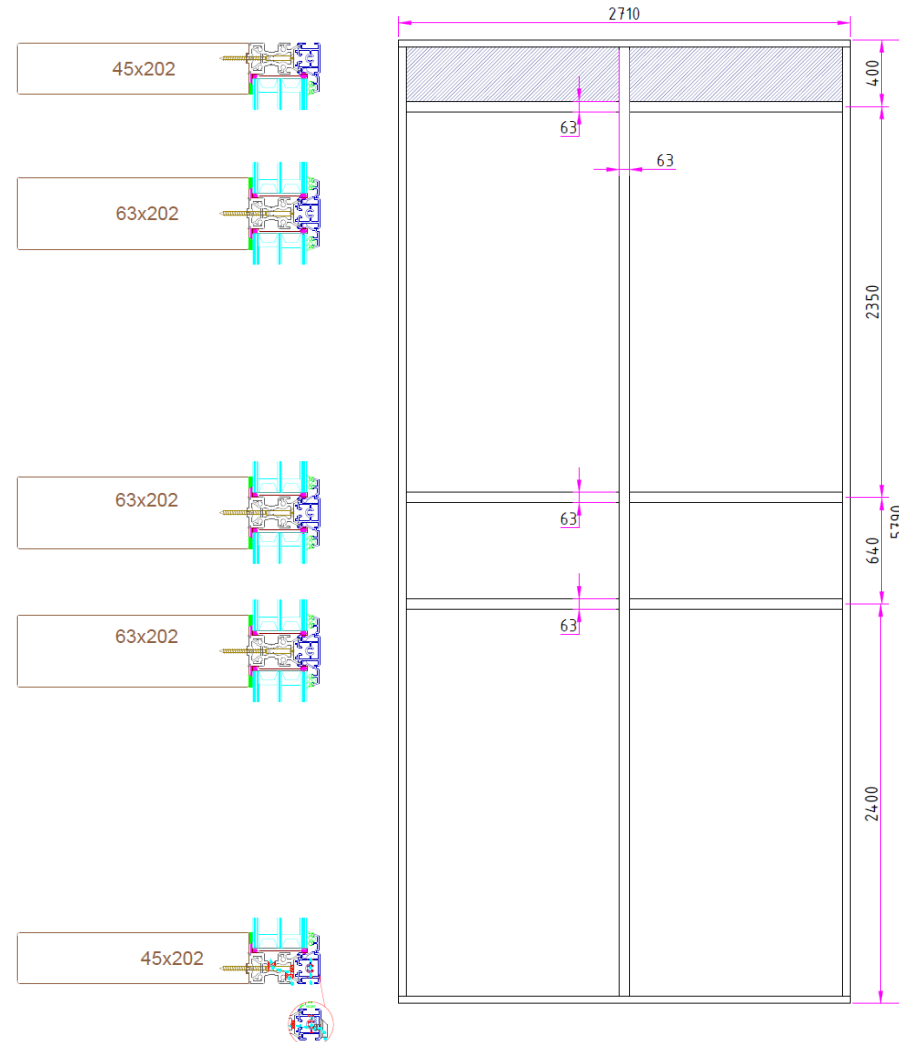
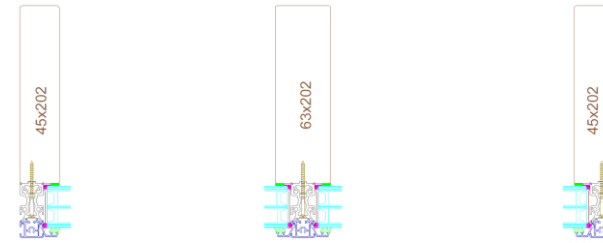
Screw cups for frame:

- Wood plug inside frame (painted RAL or varnish)
- Wooden cup (painted RAL or varnish)
- Plastic cup

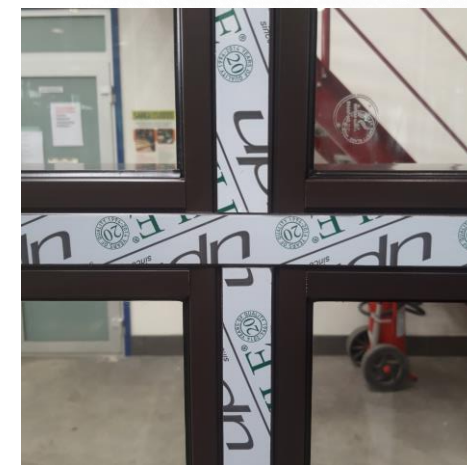
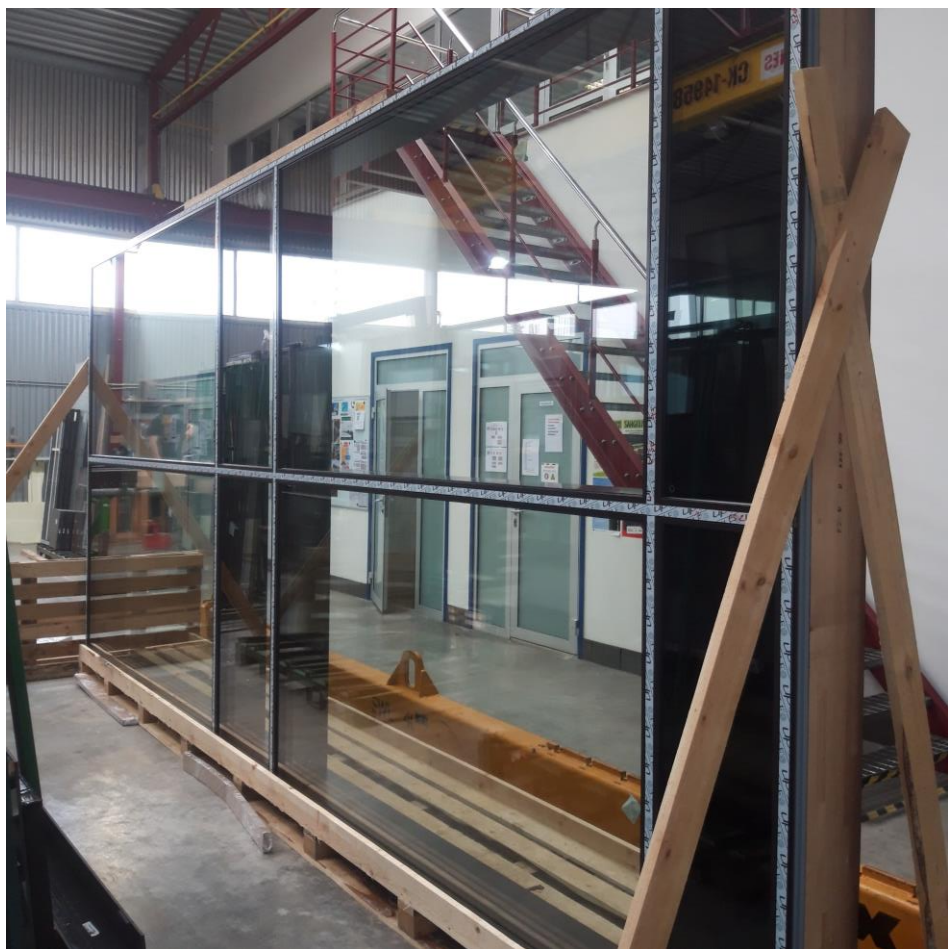


COto FACADES - Example 1

- Facade is produced in one block
- Top section is covered with painted glass

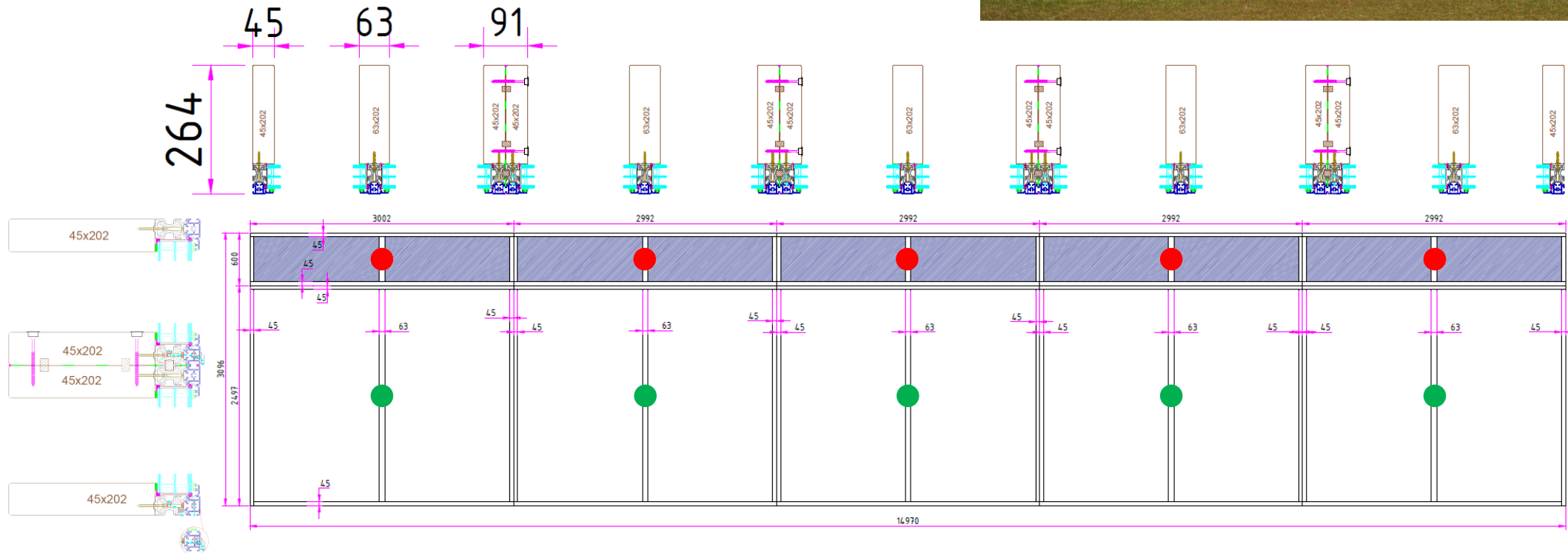


COto FACADES - Example 1



COto FACADES - Example 2

- Facade is produced in several blocks (● ; ●)
- Assembled together in the object
- Toplight is covered with painted glass

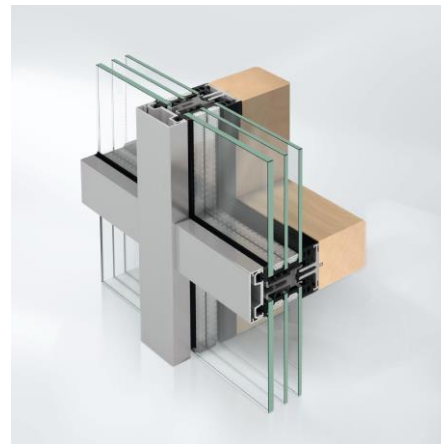


Schüco AOC TI (50/60)

The add-on construction Schüco AOC TI (50/60) with timber frames **combines energy-efficient, aesthetically sophisticated facade** with maximum design freedom.

Components enable **simple and reliable execution**, including load transfer and screw guidance, even when working with large panes and triple glazing.

Installation manuals can be processed upon individual project.

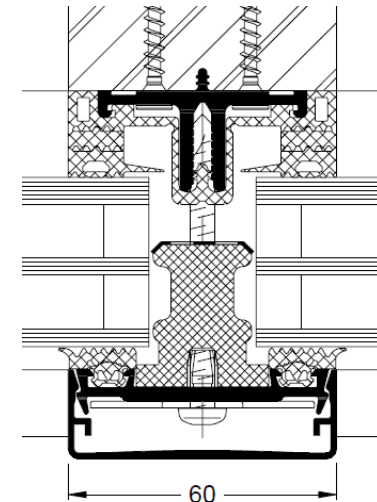
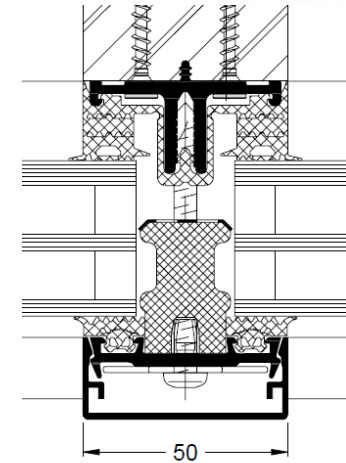
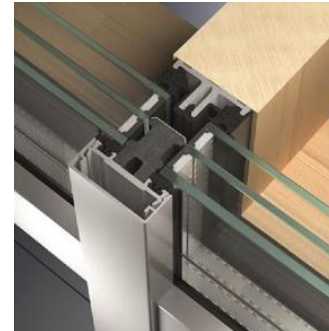
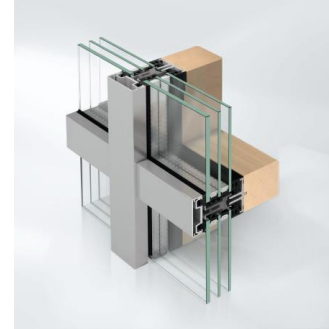


Schüco AOC TI (50/60)

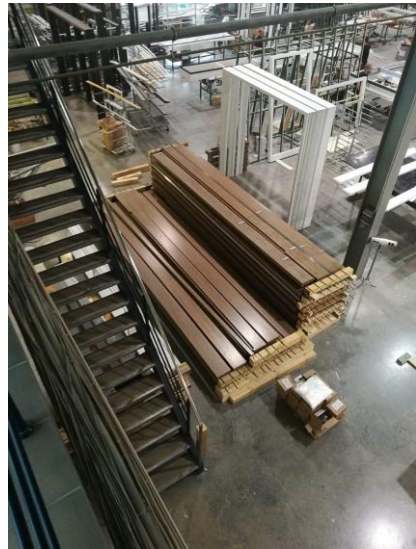
Tehcnical data:

- thermal insulation: **up to 0.77 W/(m²K)**
- watertightness: **RE 2550**
- glass IGU thickness up to **70 mm**
- max. IGU weight: **810 kg**
- max. unit weight **1100 kg**
- surface finishes:
powder, anodised, paint
- interior finishes:
clear, paint, stain, oil, bleach, varnish

Facede is produced in elements and buyer install frames, glass, connections on site.



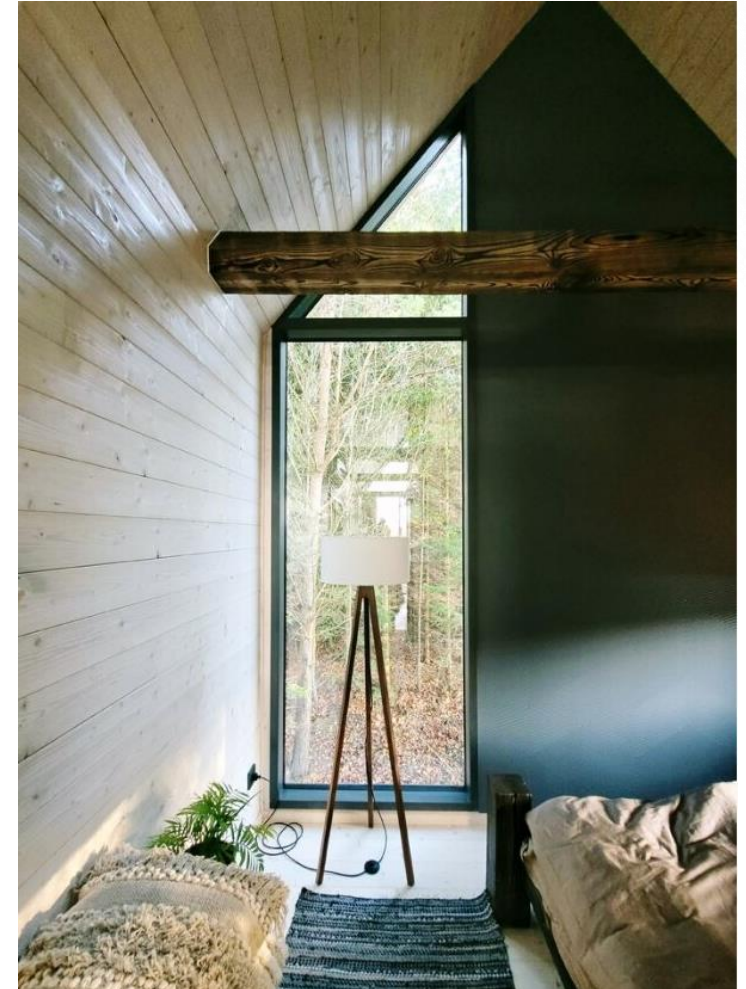
Schüco AOC



ALU flashing



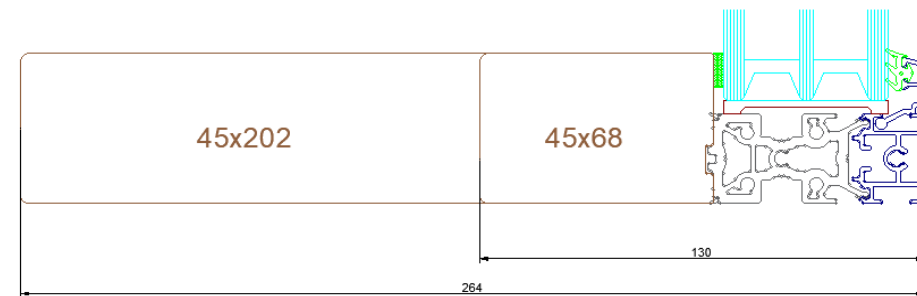
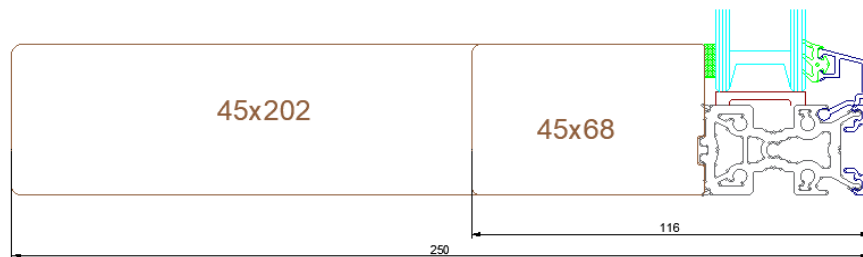
Special solutions: Figure windows



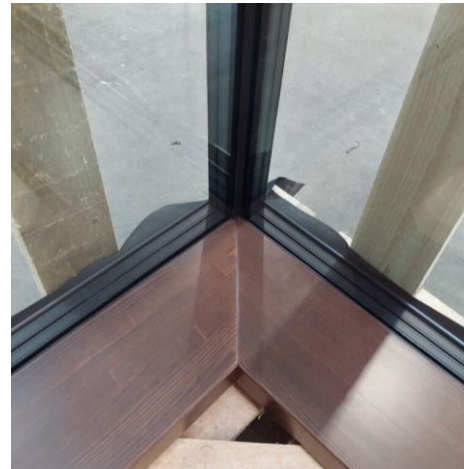
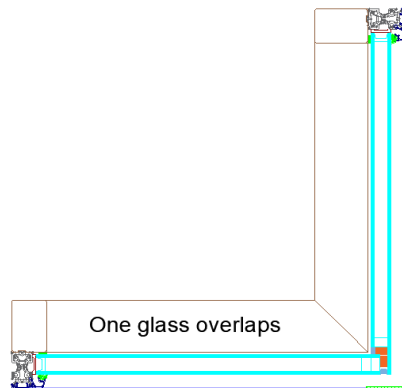
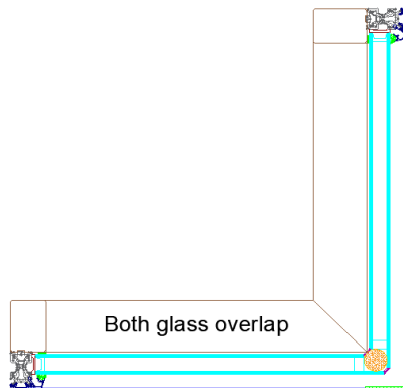
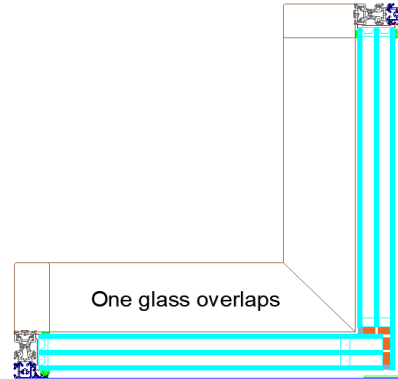
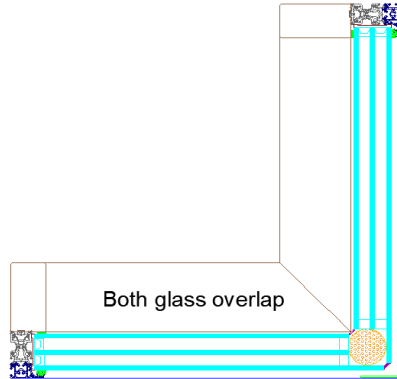
Special solutions: Segmented facade in angle



Special solutions: Extended frames



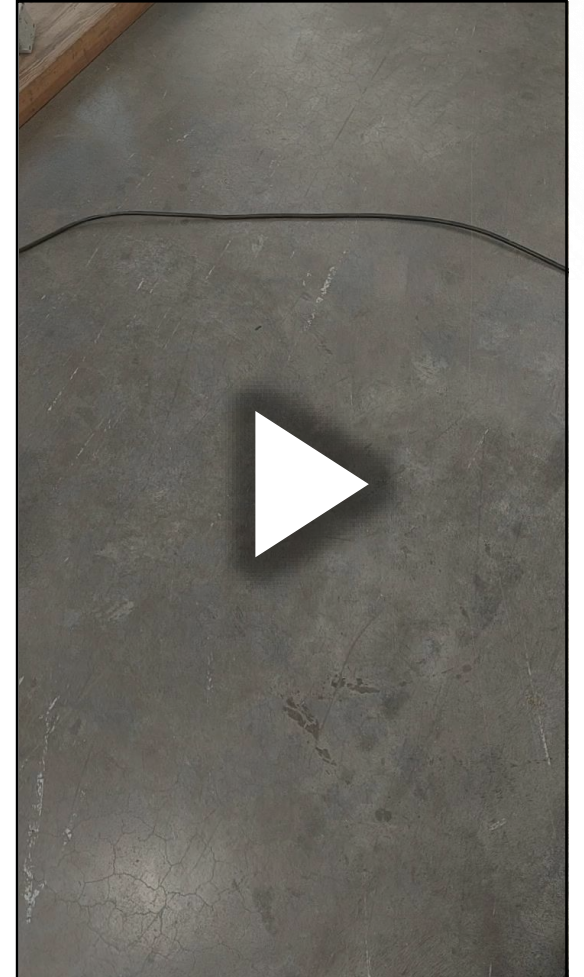
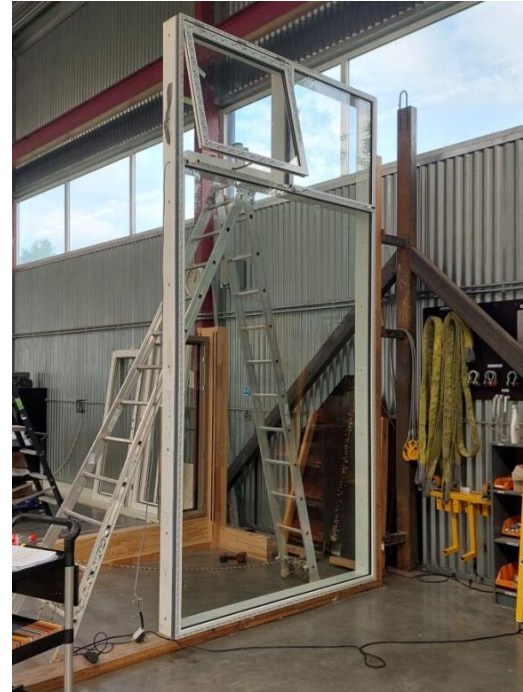
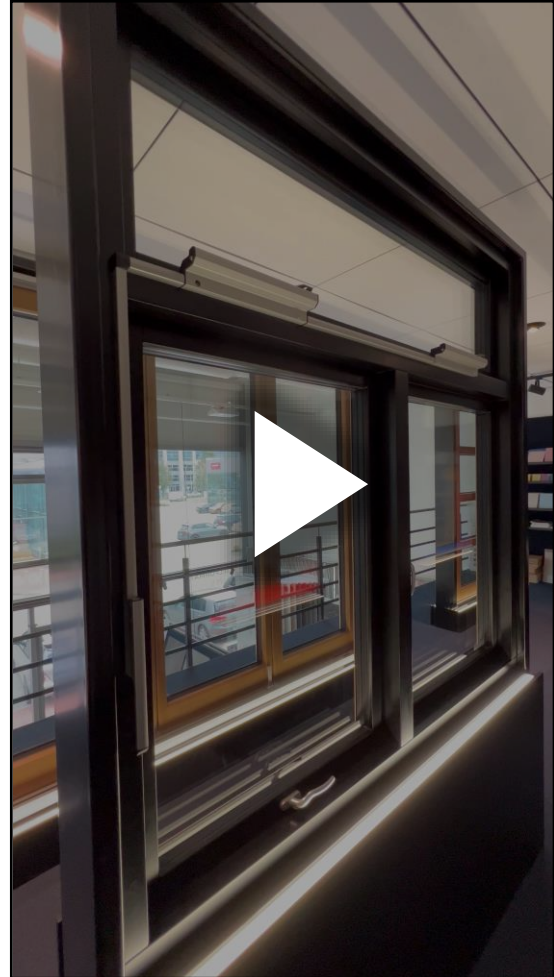
Special solutions: Glass corners



Special solutions: Flush window handle

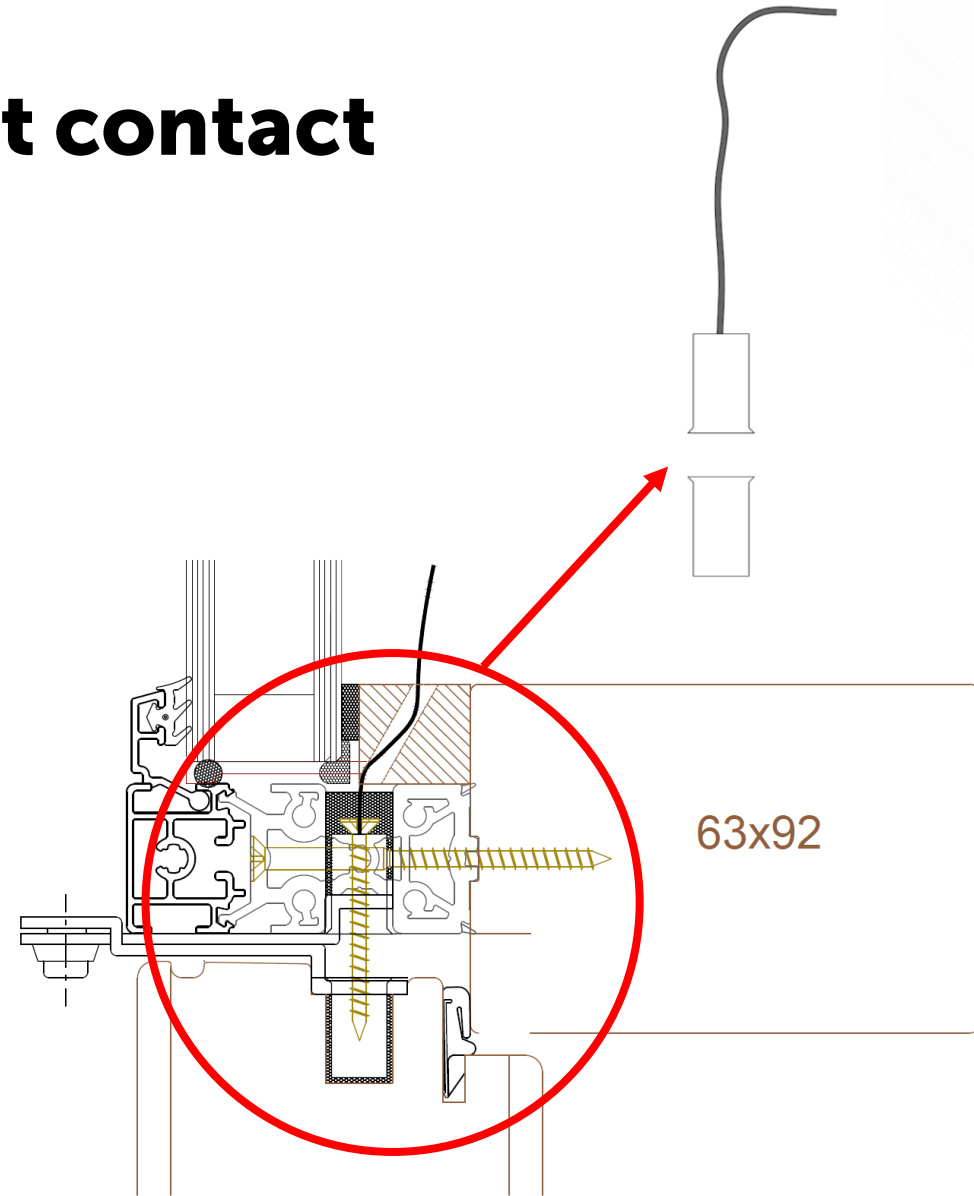


Special solutions: Window closers: manual or motorised



Special solutions: Magnet contact

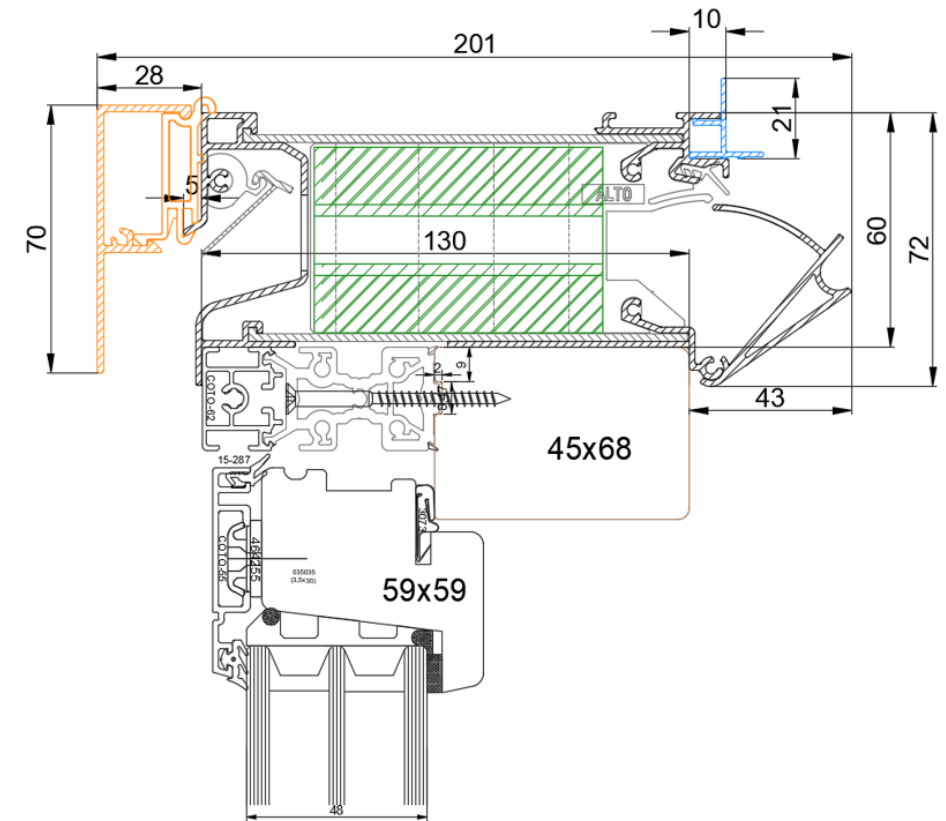
Magnet contact purpose is to control window openings from centralised security system.



Special solutions: Additional integrated ventilation

Natural ventilation valve for window (Duco TopVent)

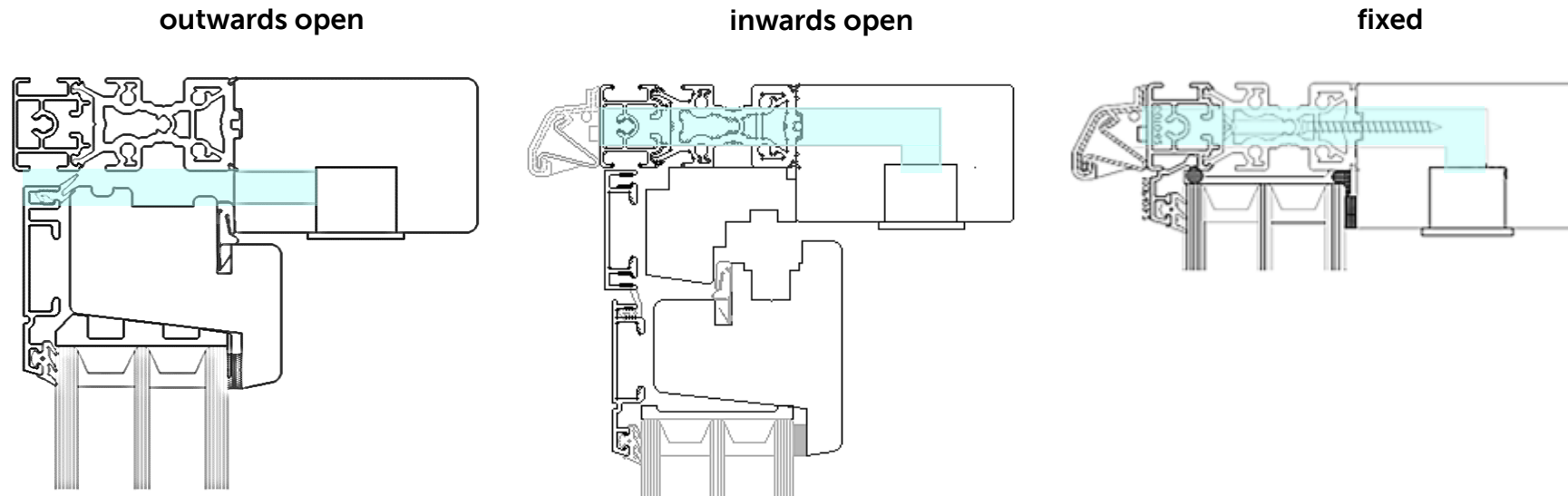
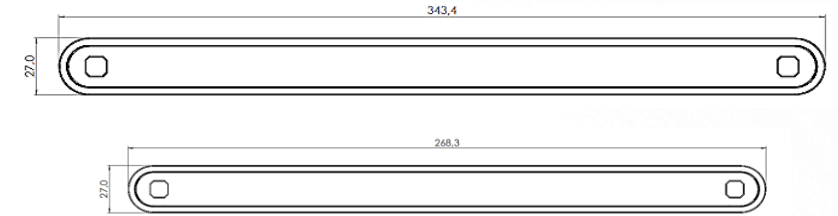
- Optimum aesthetics thanks to 'invisible' punching
- Suitable for fitting on any window section: depths from 60 to 215 mm
- Only 60 mm grille height



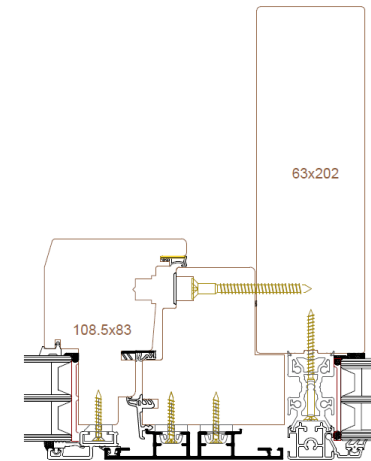
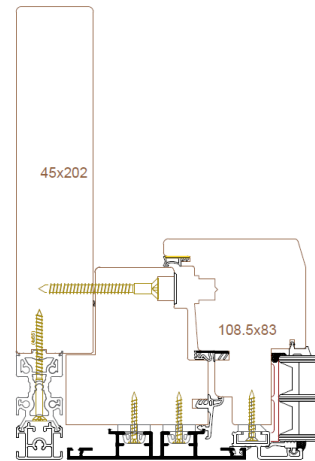
Special solutions: Klikventil ventilation

Natural ventilation valve for window (KLIKVENTIL)

- Ventilation is installed on the top OR side of the window interior frame
- Klickventilation is possible in two options:
 - 2K-4010 (Airflow: Eqv. area: 3100 mm²)
 - 2K-3010 (Airflow: Eqv. area: 2060 mm²)
- Turn&tilt / fixed windows have outside visible Trimvent CANOPY, all RAL colors available.



Special solutions: COto curtain wall + integrated AltoNova window



Special solutions: Painted glass / mirror glass



Special solutions: Integrated ventilation grill in COto window



Special solutions: Dummy sash



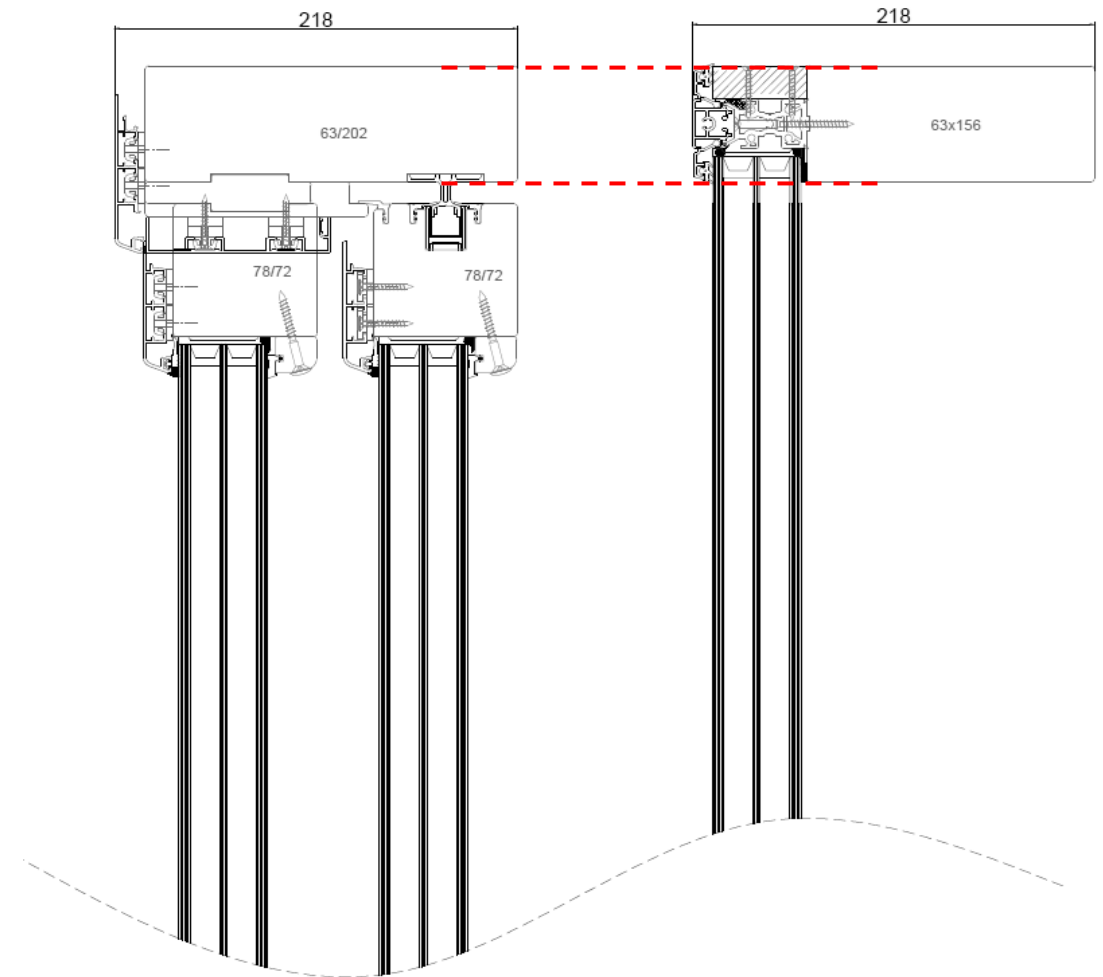
Special solutions: Large window blocks



Special solutions: Large fixed window



Produced examples: COto fixed + AltoNova lift&slide door



Product quality



ISO 9001 – Quality management system certificate (Bureau Veritas)
 ISO 14001 – Environmental management system certificate (Bureau Veritas)
 EN 14351-1; EN 13830 – Manufacture process control certificates (Inspecta), Dansk Vindues
 Certificering certificates



Reference projects

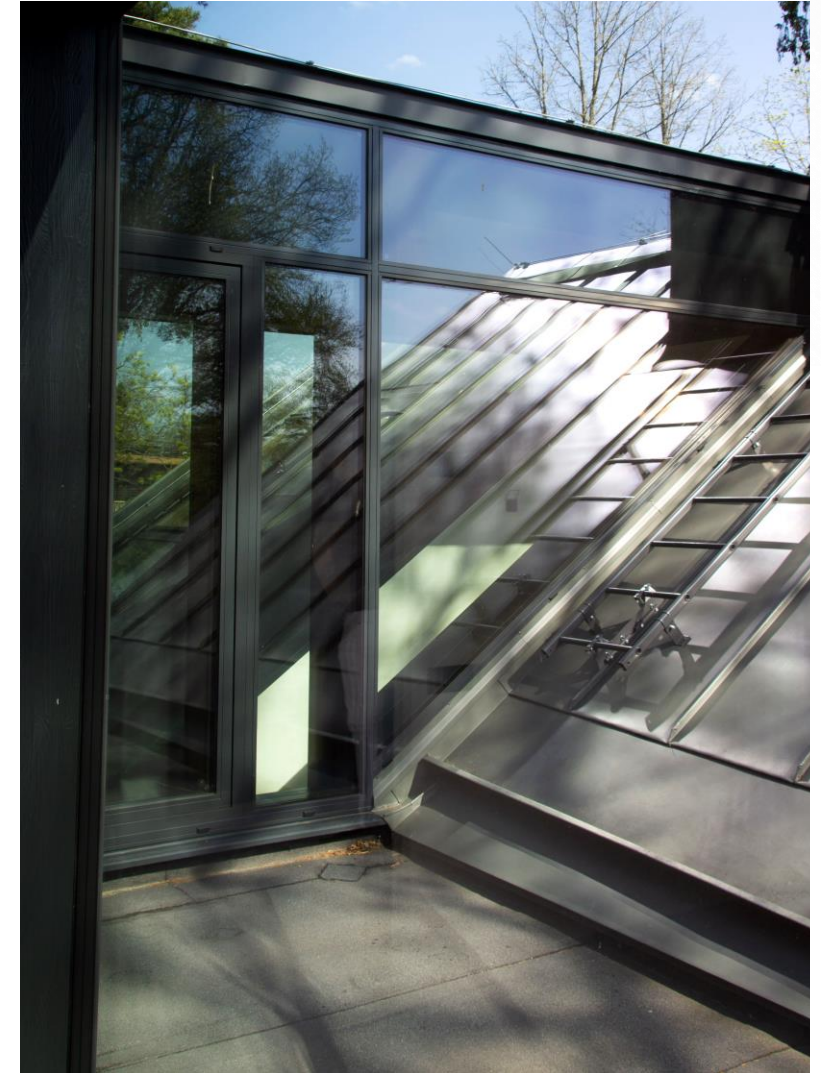
Project: Family home

Location: Jurmala, Latvia



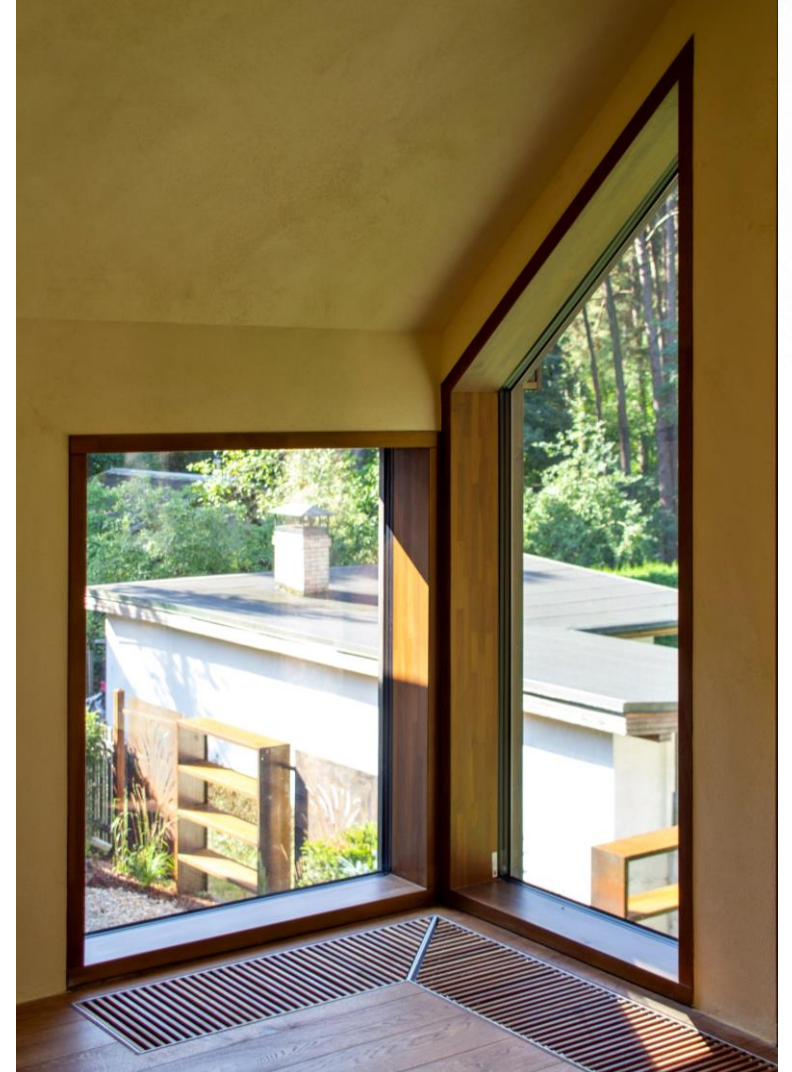
Project: Family home

Location: Jurmala, Latvia



Project: Family home

Location: Jurmala, Latvia



Project: Guest house

Location: Tervete, Latvia



Project: Family home

Location: Riga, Latvia



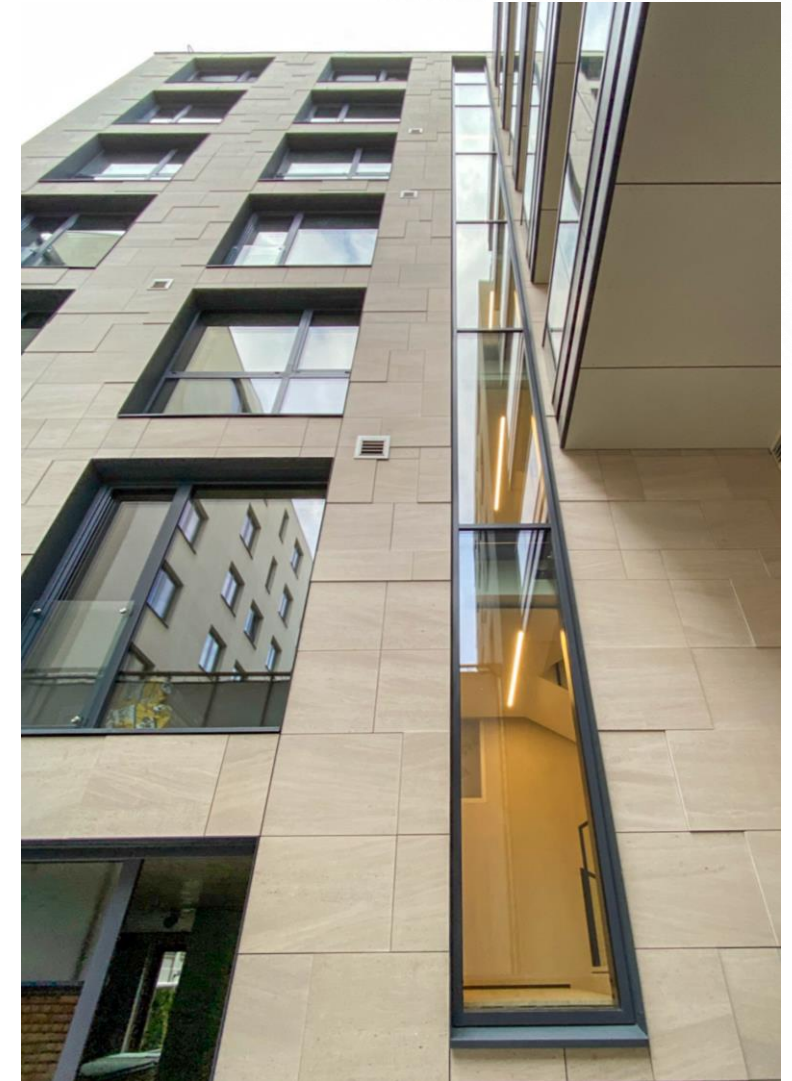
Project: Office building

Location: Riga, Latvia



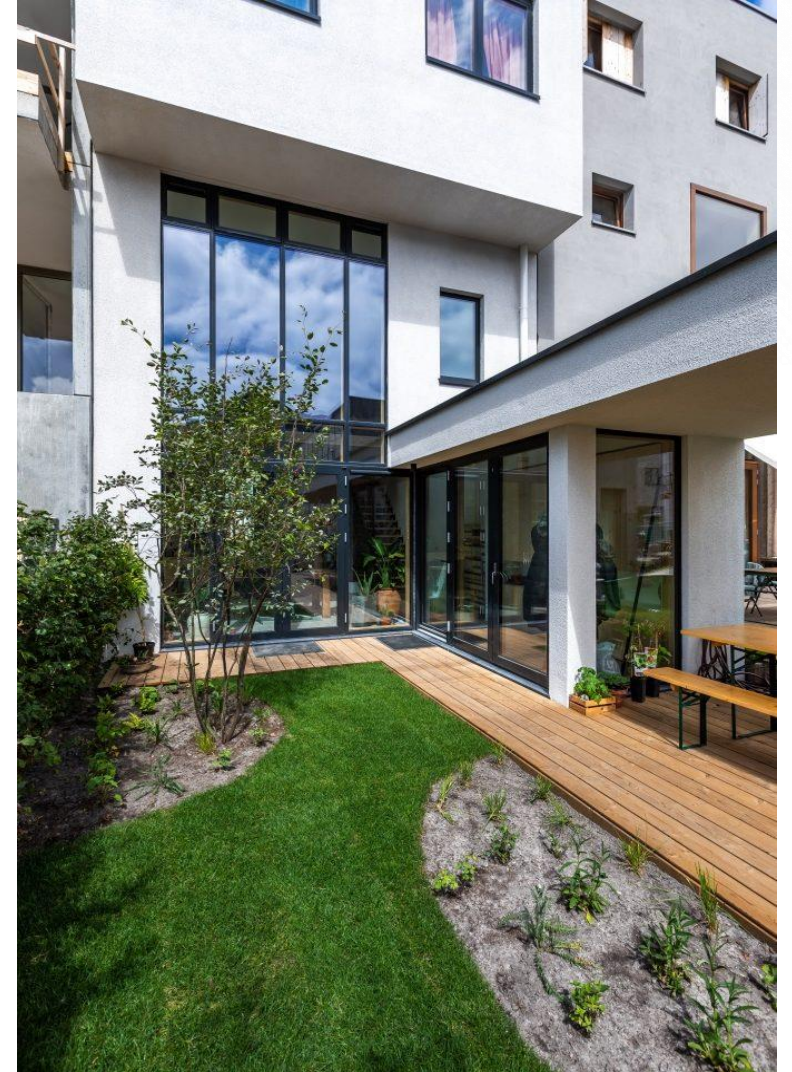
Project: Hoft

Location: Riga, Latvia



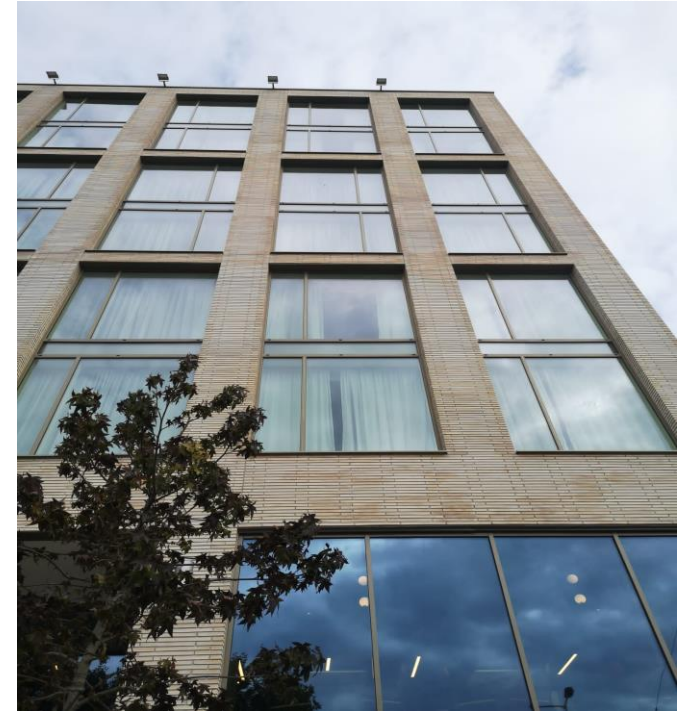
Project: Family home

Location: Amsterdam, Netherlands



Project: Hampton By Hilton Hotel

Location: Dublin, Ireland



Project: Family houses

Location: Dublin, Ireland



Project: Cork

Location: Ireland



Project: Residential building

Location: Dalkey (Dublin), Ireland



Project: Family house

Location: Foxrock (Dublin), Ireland



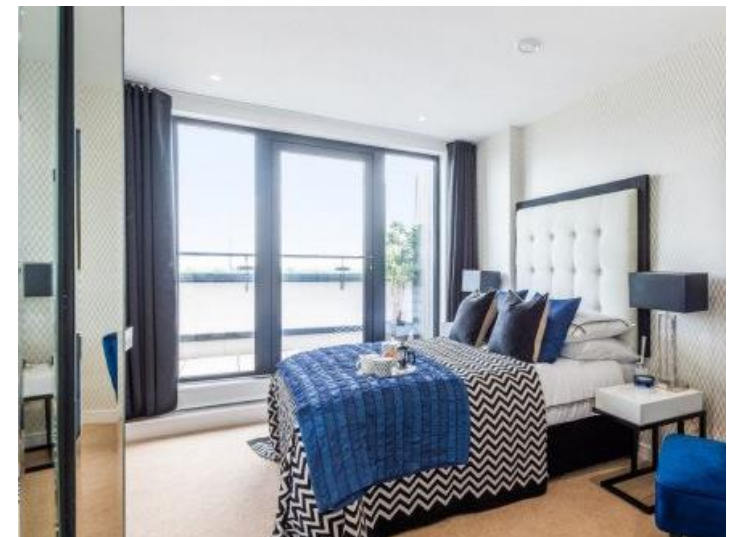
Project: Finborough school

Location: Finborough, Great Britain



Project: Apartment buildings «LEADEN HILLS»

Location: Coulsdon, United Kingdom



Project: Family house

Location: Leyland, United Kingdom



Project: Family house

Location: Hove, United Kingdom



Project: School «LANDAMARESKOLAN»

Location: Gothenburg, Sweden



Project: Apartment building «ULLEVAL TARN»

Location: Oslo, Norway



Project: Breidakur

Location: Iceland



Project: Geopark villa

Location: Iceland



Project: Office buildings «Hofdatorg S1 and H2»

Location: Reykjavik, Iceland



Project: Apartment building «NORDURBAKKI»

Location: Hafnarfjordur, Iceland





COto windows and terrace/balcony doors